
BODY

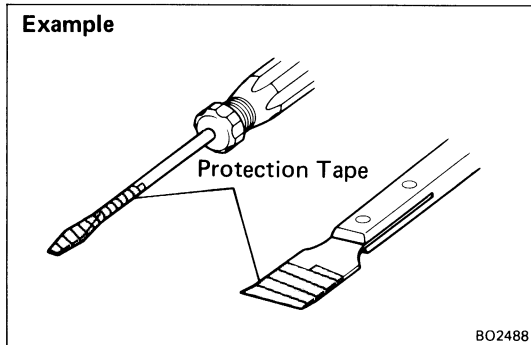
| | Page |
|----------------------------|-------|
| GENERAL INFORMATION | BO-2 |
| HOOD | BO-3 |
| HEADLIGHT | BO-4 |
| FRONT DOOR | BO-5 |
| BACK DOOR | BO-16 |
| MOULDING | BO-17 |
| WINDSHIELD | BO-31 |
| QUARTER WINDOW GLASS | BO-37 |
| BACK DOOR GLASS | BO-41 |
| SPORT ROOF | BO-43 |
| SAFETY PAD | BO-50 |
| SEAT | BO-58 |
| SEAT BELT | BO-61 |
| BODY DIMENSIONS | BO-63 |

GENERAL INFORMATION

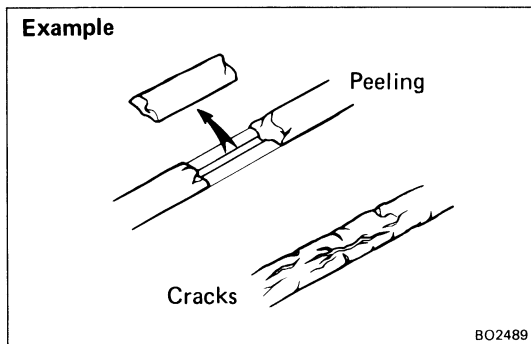
If there is a possibility the body and/or parts may be damaged, first remove the danger before performing repair operations.

Example:

1. Apply protection tape to the body adjustment to the body part when removing and installing.



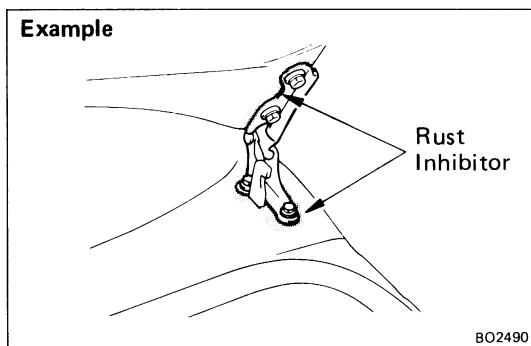
2. When prying off the body parts with a screwdriver or scraper etc., be sure to apply protection tape to the tip or blade to prevent damage to the paint film or body part.



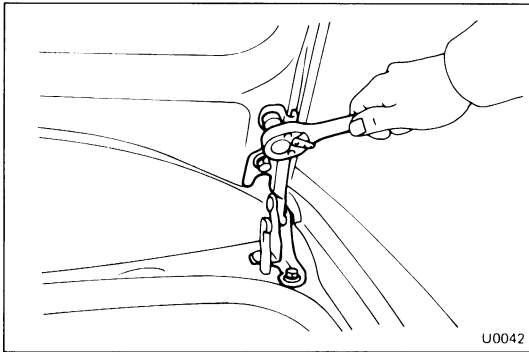
If anti-rust agents are damaged while repairing other parts, be sure to repair the anti-rust agent.

Example:

1. If body sealant, paint film or undercoat are damaged by peeling, cracks, etc., be sure to repair each with anti-rust agent.



2. If a hinge or exterior body panel is loosened or removed, be sure apply rust inhibitor after repairs.

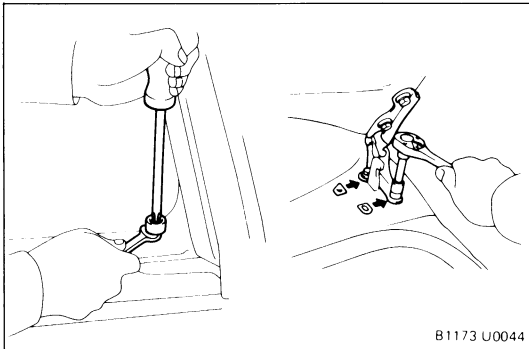


HOOD

ADJUSTMENT OF HOOD

1. ADJUST HOOD IN FORWARD/REARWARD AND LEFT/RIGHT DIRECTIONS

Adjust the hood by loosening the hood side hinge bolts.

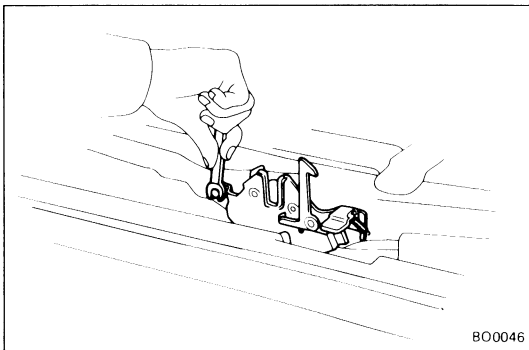


2. ADJUST FRONT EDGE OF HOOD IN VERTICAL DIRECTION

Adjust the hood by turning the cushions.

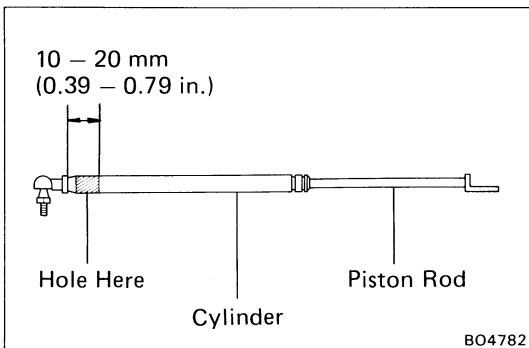
3. ADJUST REAR EDGE OF HOOD IN VERTICAL DIRECTION

Adjust the hood by increasing or decreasing the number of the washers.



4. ADJUST HOOD LOCK

Loosen the mounting bolts to adjust.



Hood Damper Stay

NOTICE: Handling the damper.

- (a) Do not disassemble the damper because the cylinder is filled with pressurized gas.
- (b) If the damper is to be replaced, drill a 2.0 - 3.0 mm (0.079 - 0.118 in.) hole in the bottom of the removed damper cylinder to completely release the high-pressure gas before disposing of it.
- (c) When drilling, chips may fly out so work carefully.
- (d) The gas is colorless, odorless and non-toxic.
- (e) When working, handle the damper carefully. Never score or scratch the exposed part of the piston rod, and never allow paint or oil to get on it.
- (f) Do not turn the piston rod and cylinder with the damper fully extended.

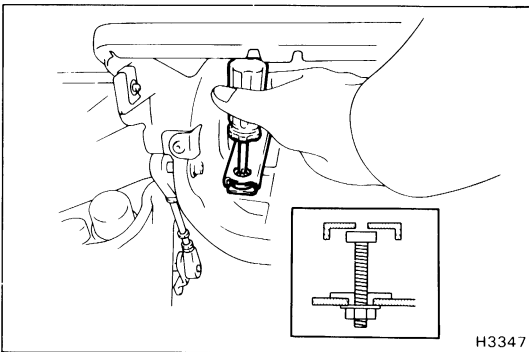
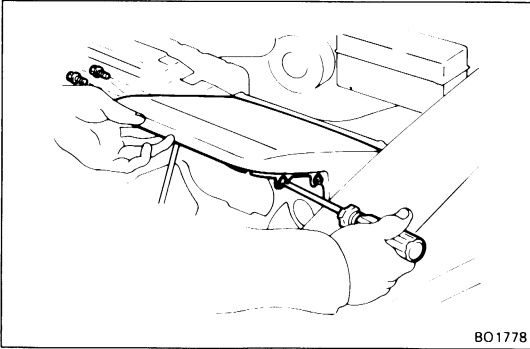
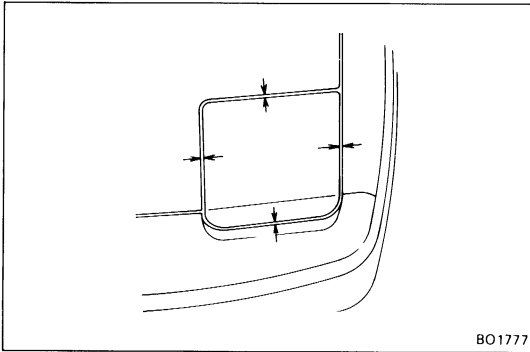
HEADLIGHT

NOTICE: When adjusting each section, raise or lower the headlight with the light control switch. But when adjusting each section, be sure to remove the RTR fuse (30A) before adjusting.

ADJUSTMENT OF HEADLIGHT

1. ADJUST HEADLIGHT COVER FORWARD/REARWARD AND LEFT/RIGHT DIRECTION

Adjust the headlight cover by loosening the cover set screws.



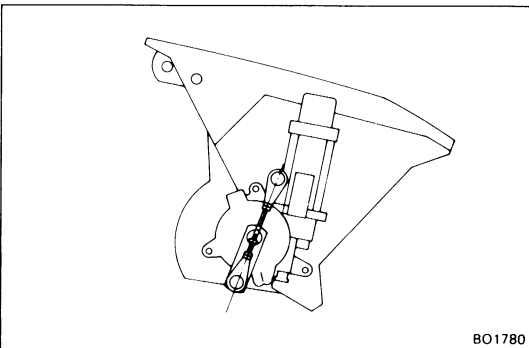
2. ADJUST HEADLIGHT SLANT

(a) Loosen the stopper lock nut.

(b) Lower the headlight.

(c) Turn the manual operation knob to align the rod and the motor link.

(d) Change the rod length to adjust the headlight slant.

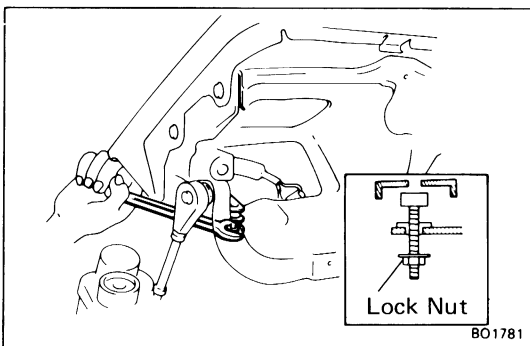


3. ADJUST HEADLIGHT STOPPER POSITION

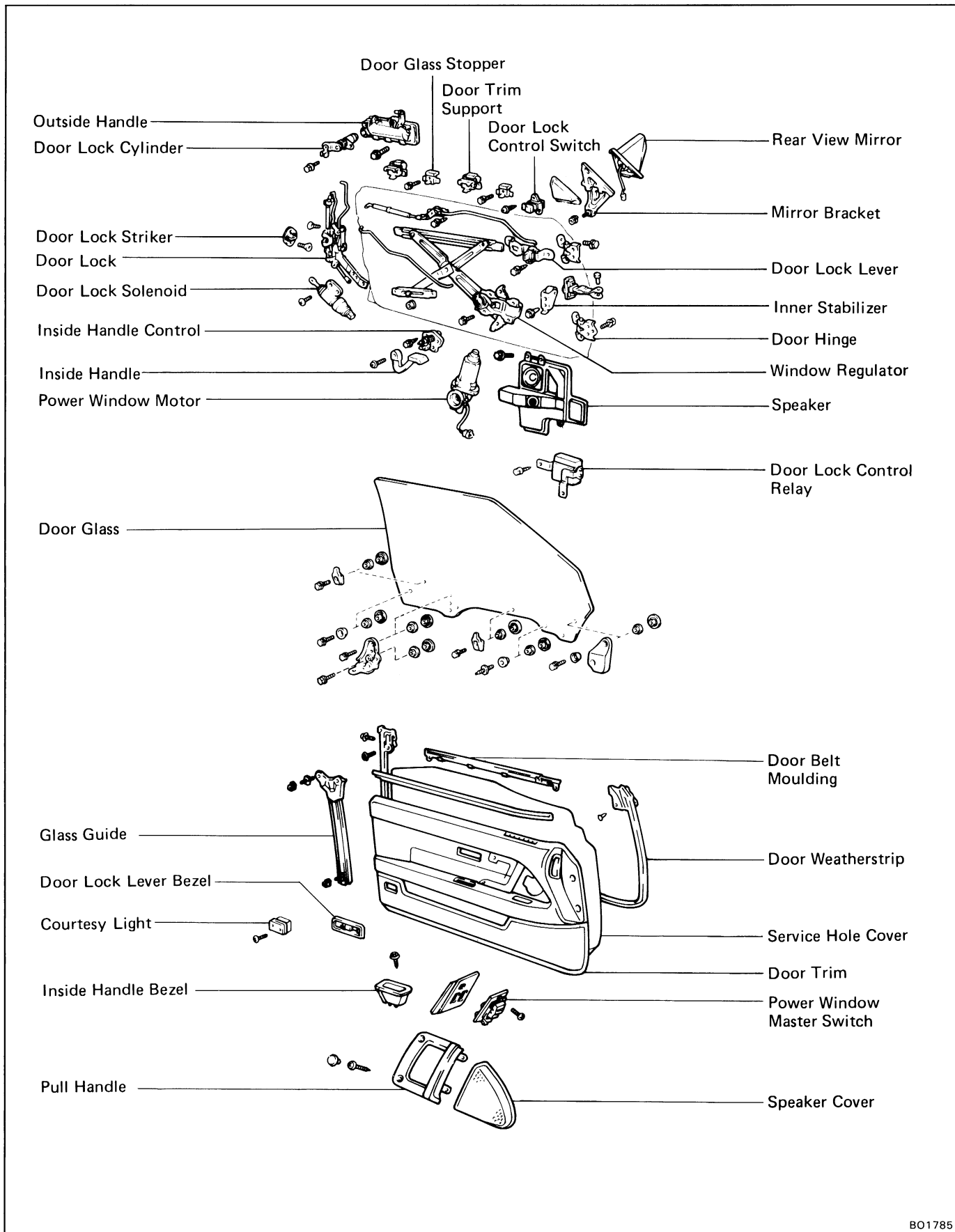
(a) Raise the headlight.

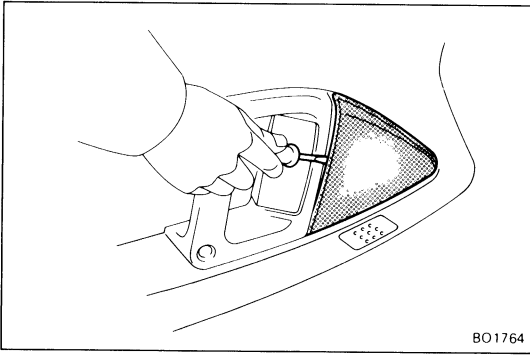
(b) Turn the stopper counterclockwise until it touches the headlight bracket, then turn it another 4/5 turn counterclockwise.

(c) Tighten the stopper lock nut.



FRONT DOOR COMPONENTS

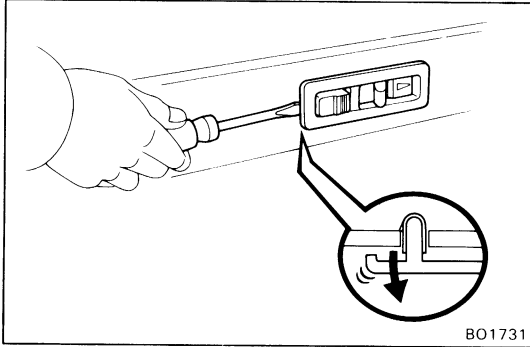


DISASSEMBLY OF FRONT DOOR**1. REMOVE SPEAKER COVER****2. REMOVE PULL HANDLE WITH POWER WINDOW MASTER SWITCH**

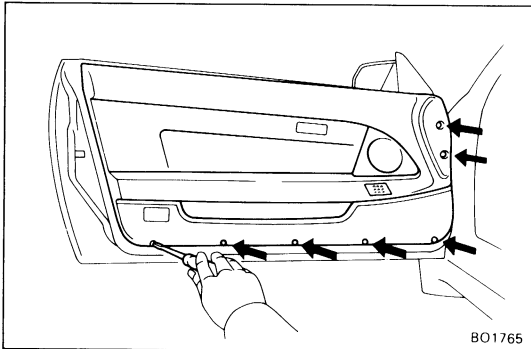
- (a) Remove the four screws.
- (b) Disconnect the connector from the power window master switch.
- (c) Remove the pull handle with power window switch.

3. REMOVE DOOR LOCK LEVER BEZEL

Push the claw of the bezel with a screwdriver, and remove the bezel.

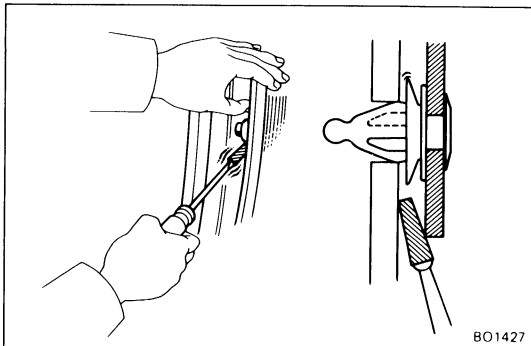
**4. REMOVE INSIDE HANDLE BEZEL****5. REMOVE DOOR COURTESY LIGHT****6. REMOVE DOOR TRIM**

- (a) Remove the seven screws.

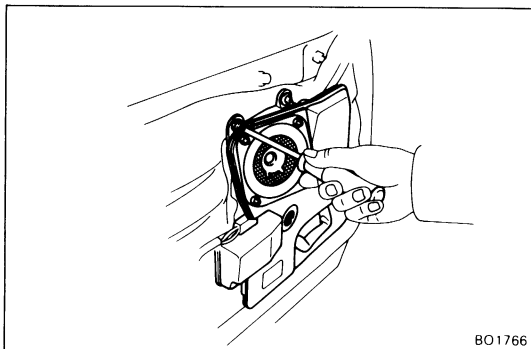


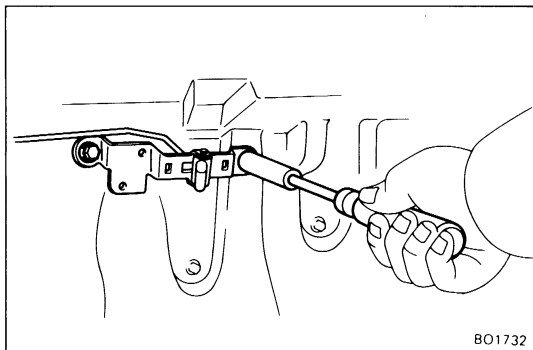
- (b) Insert a screwdriver between the retainers and door trim to pry it loose.

HINT: Tape the screwdriver tip before use.

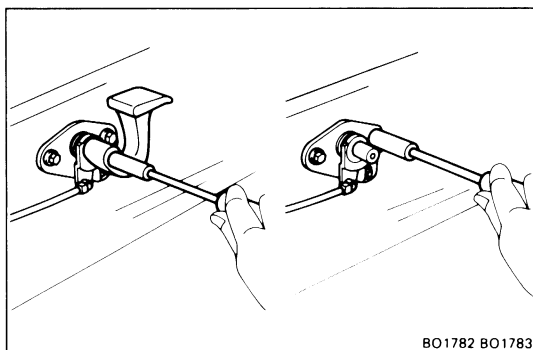
**7. REMOVE SPEAKER**

- (a) Disconnect the connector from the speaker.
- (b) Remove the speaker with four screws.

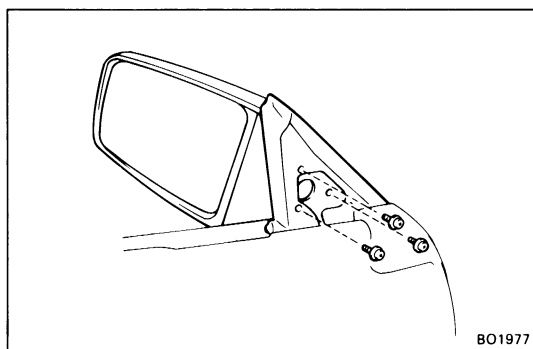


**8. REMOVE DOOR LOCK LEVER**

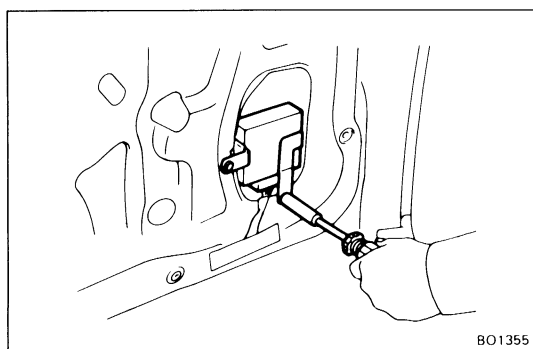
- (a) Disconnect the connector from the switch.
- (b) Remove the two screws.
- (c) Disconnect the link from the door lock lever.

**9. REMOVE INSIDE HANDLE**

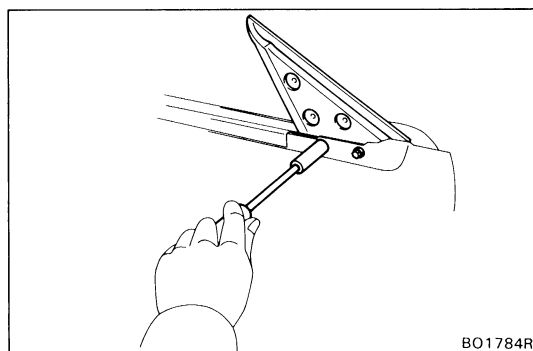
- (a) Remove the screw and inside handle.
- (b) Remove the three screws and inside handle control.
- (c) Disconnect the link from the inside handle control.

**10. REMOVE REAR VIEW MIRROR**

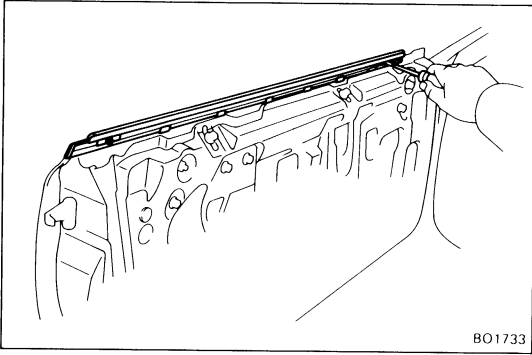
- (a) Remove the cover.
- HINT: Tape the screwdriver tip before use.
- (b) Disconnect the connector from the mirror.
 - (c) Remove the three screws and rear view mirror.

**11. REMOVE DOOR LOCK CONTROL RELAY**

- (a) Disconnect the connector from the relay.
- (b) Remove the relay with two bolts.

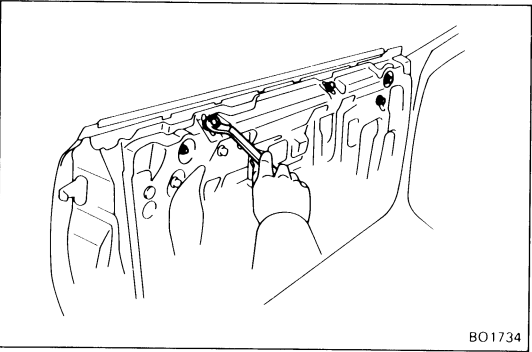
12. REMOVE SERVICE HOLE COVER**13. REMOVE DOOR WEATHERSTRIP****14. REMOVE DOOR MIRROR BRACKET**

Remove the nut, two bolts and door mirror bracket.



15. REMOVE DOOR BELT MOULDING
(See pages BO-19 and 20)

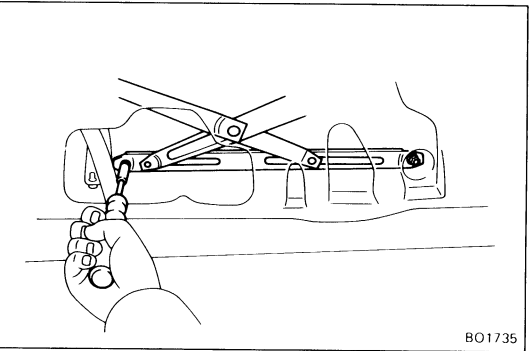
Remove the two screws and moulding.



16. REMOVE TWO DOOR GLASS STOPPERS

17. REMOVE TWO DOOR TRIM SUPPORTS

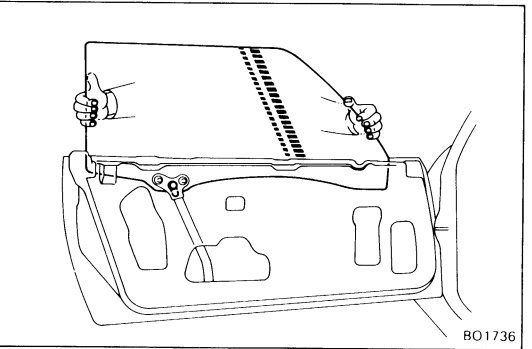
18. REMOVE INNER STABILIZER



19. REMOVE DOOR GLASS

(a) Remove the two glass channel mounting nuts.

(b) Remove the door glass by pulling it upward.



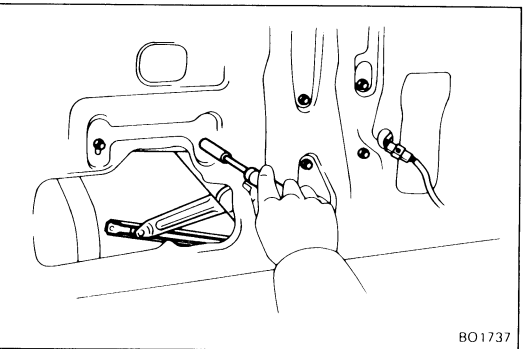
20. REMOVE WINDOW REGULATOR

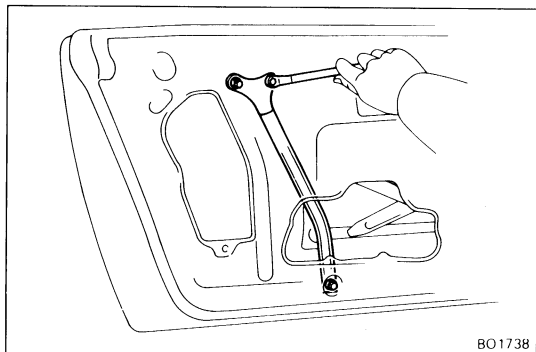
(a) Disconnect the connector from the motor.

(b) Remove the equalizer arm bracket mounting bolts.

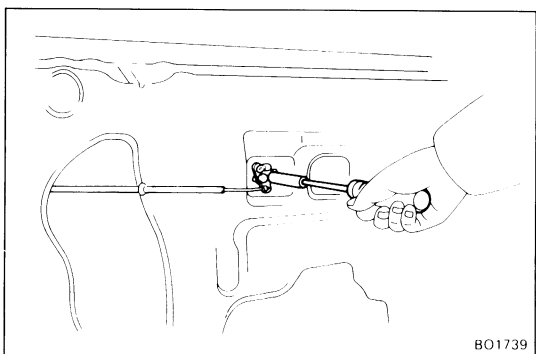
(c) Remove the regulator mounting bolts.

(d) Remove the regulator through the service hole.

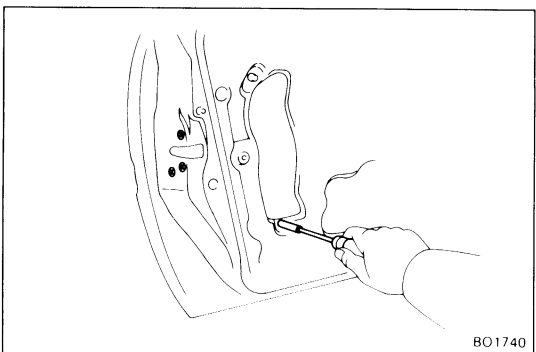


**21. REMOVE GLASS GUIDE**

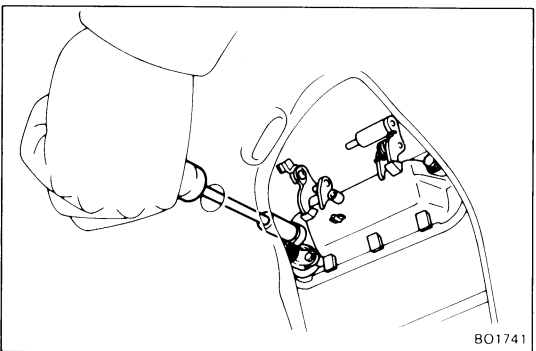
Remove the three nuts and glass guide.

**22. REMOVE DOOR LOCK CONTROL**

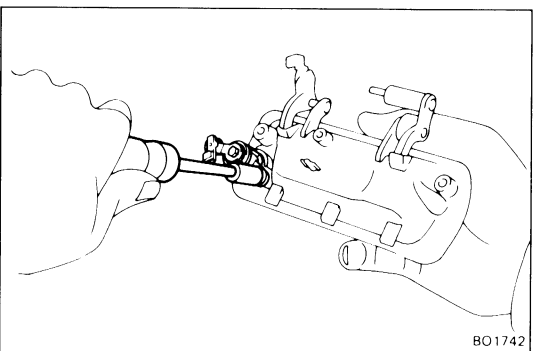
Disconnect the link from the door lock control.

**23. REMOVE DOOR LOCK WITH SOLENOID**

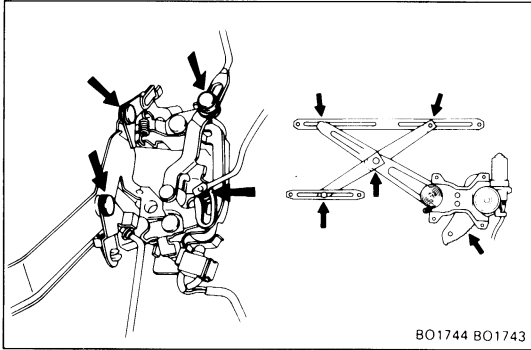
- (a) Disconnect the links from the outside handle and door lock cylinder.
- (b) Disconnect the connectors from the door lock solenoid and key unlock switch.
- (c) Remove the bolt, three screws and the door lock.
- (d) Remove two screws and the solenoid from the door lock.

**24. REMOVE OUTSIDE HANDLE WITH DOOR LOCK CYLINDER**

Remove the two bolts and outside handle with the door lock cylinder.

**25. REMOVE DOOR LOCK CYLINDER**

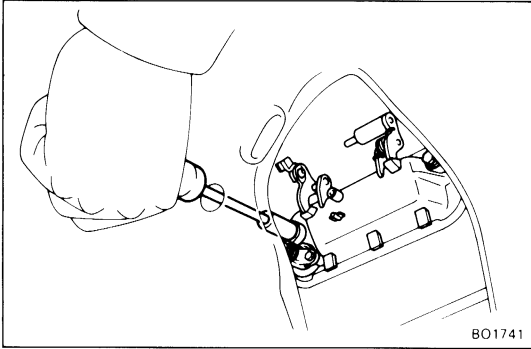
Remove the bolt and door lock cylinder from the outside handle.

ASSEMBLY OF FRONT DOOR**1. APPLY MP GREASE TO PARTS BEFORE INSTALLING**

- (a) Apply MP grease to the sliding surface and gear of the window regulator.

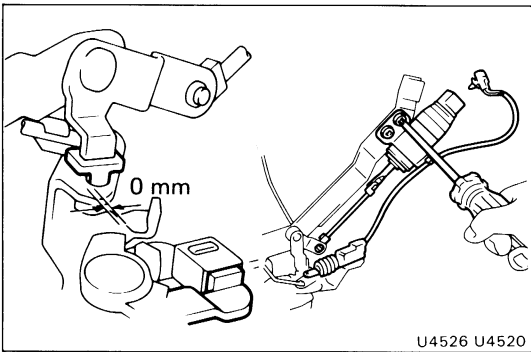
NOTICE: Do not apply MP grease to the spring of the window regulator.

- (b) Apply MP grease to the sliding surface of the door lock.

**2. INSTALL OUTSIDE HANDLE**

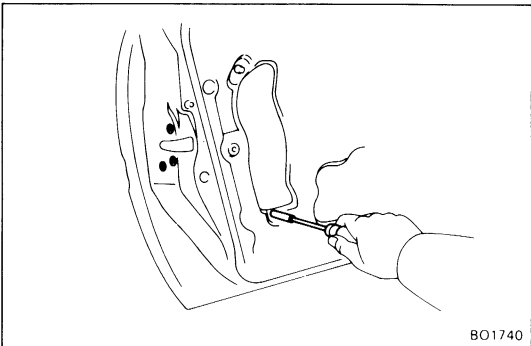
- (a) Install the door lock cylinder with the bolt to the outside handle.

- (b) Install the outside handle with the two bolts.

**3. INSTALL DOOR LOCK SOLENOID TO DOOR LOCK**

- (a) Install the door lock solenoid to the door lock.

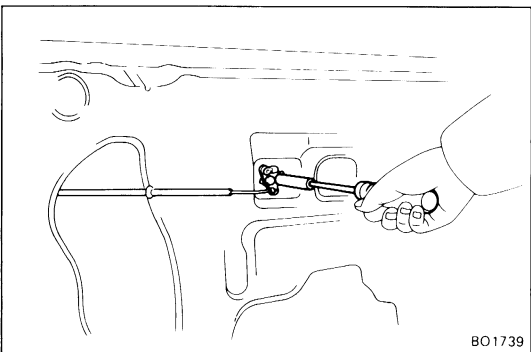
- (b) Tighten the two screws after adjusting so that the gap shown in the figure becomes closed when unlocked.

**4. INSTALL DOOR LOCK**

- (a) Install the door lock with the two bolts and three screws.

- (b) Connect the connectors to the door lock solenoid and key unlock switch.

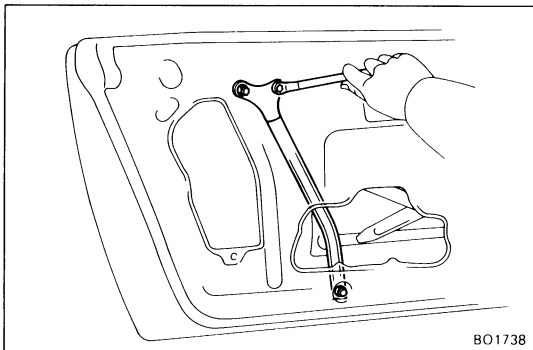
- (c) Connect the links to the outside handle and door lock cylinder.

**5. INSTALL DOOR LOCK CONTROL**

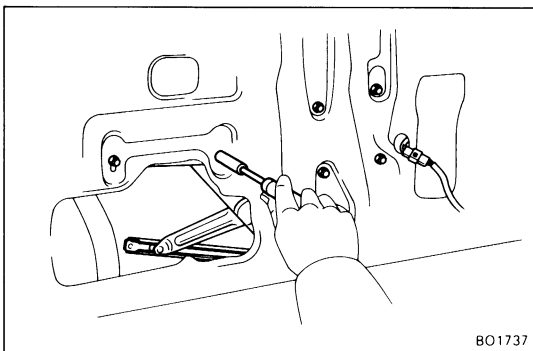
- (a) Connect the link to the door lock control.

- (b) Install the door lock control with the two screws.

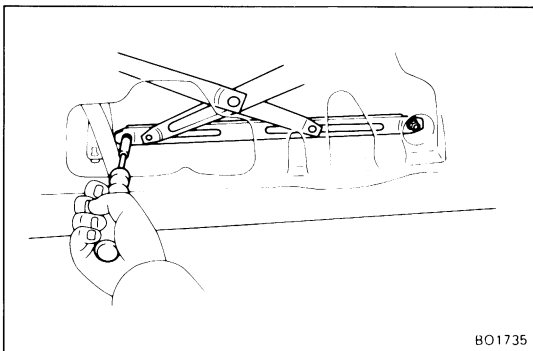
6. CHECK DOOR LOCK OPERATION

**7. INSTALL GLASS GUIDE**

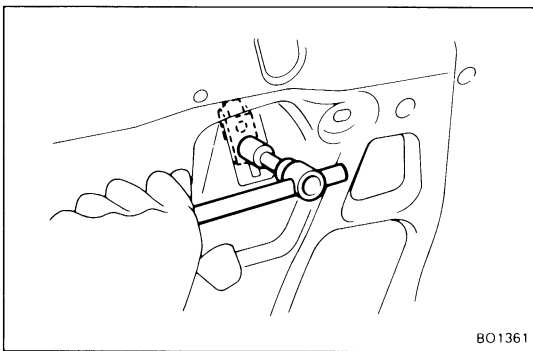
Install the glass guide and temporarily tighten the three nuts.

**8. INSTALL WINDOW REGULATOR**

- (a) Install the regulator with the mounting bolts.
- (b) Temporarily tighten the equalizer arm bracket mounting bolts.
- (c) Connect the connector to the motor.

**9. INSTALL DOOR GLASS**

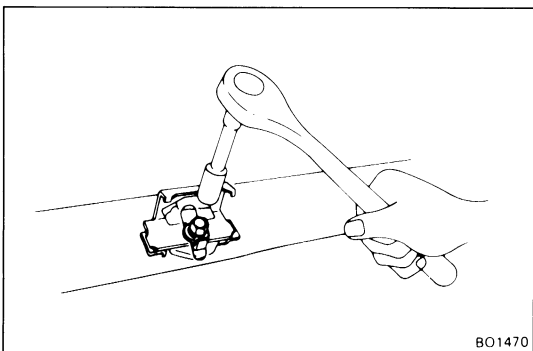
Install the door glass with the two nuts.

**10. INSTALL INNER STABILIZER**

Install the inner stabilizer and temporarily tighten the bolt.

11. INSTALL TWO DOOR GLASS STOPPERS

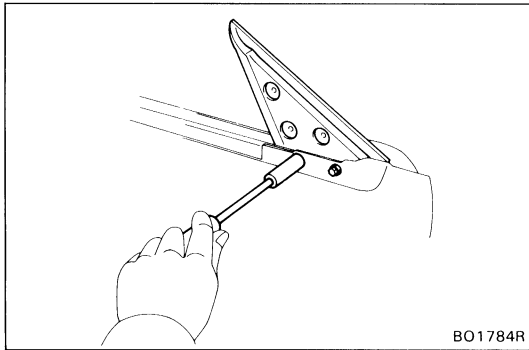
Install the door glass stoppers and temporarily tighten the two bolts.

**12. INSTALL TWO DOOR TRIM SUPPORTS**

Install the door trim supports and temporarily tighten the two bolts.

13. INSTALL DOOR BELT MOULDING
(See page BO-20)

- (a) Tap the moulding onto the door by hand.
- (b) Install the two screws.

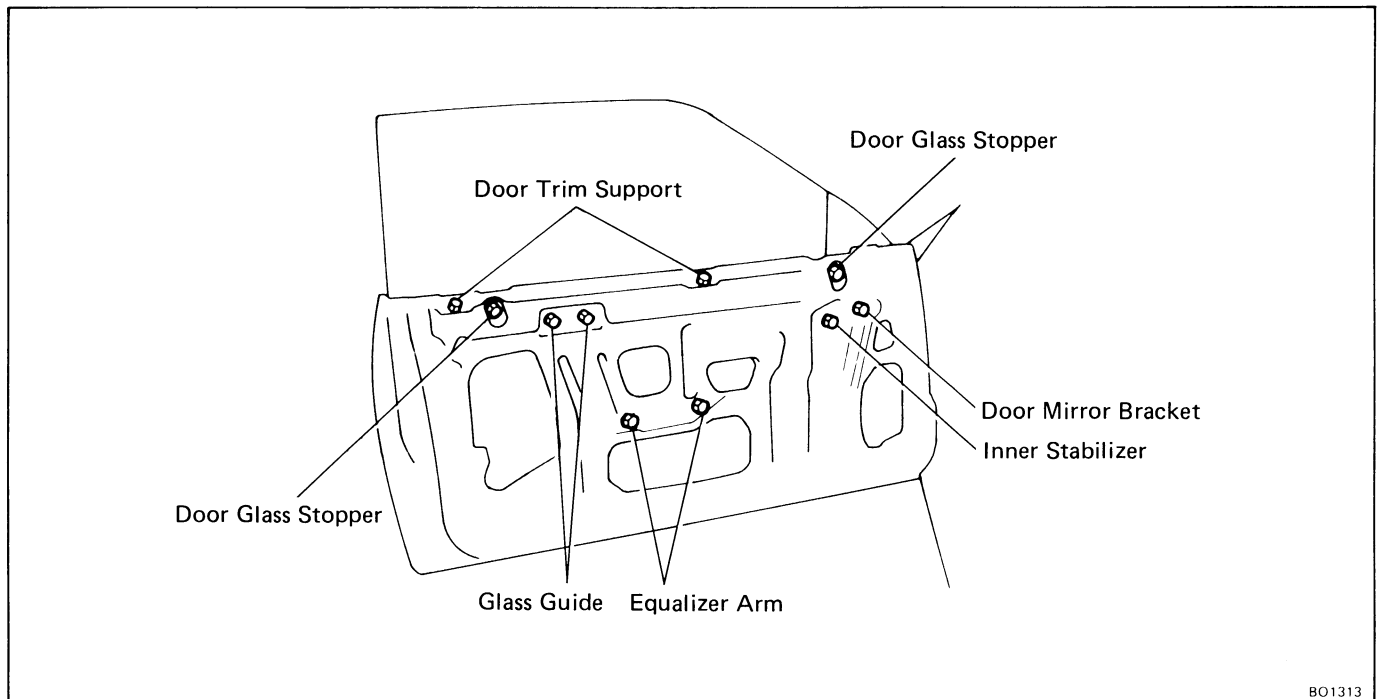


14. INSTALL DOOR MIRROR BRACKET

Install the door mirror bracket and temporarily tighten the nut and two bolts.

15. INSTALL DOOR WEATHERSTRIP

Install the door weatherstrip with three screws and twenty-two clips.



16. ADJUST DOOR TRIM SUPPORTS

Pressing the claw of the door trim support to the door inner panel, and tighten the bolt.

17. ADJUST DOOR GLASS

(a) (In Left/Right Direction—Upper Side of Glass)

Adjust the stud bolts of the glass guide. For example, if you turn right both stud bolts, the upper side of the glass move to outside.

HINT: Turn both stud bolts of glass guide an equal amount.

(b) (In Forward/Rearward Direction)

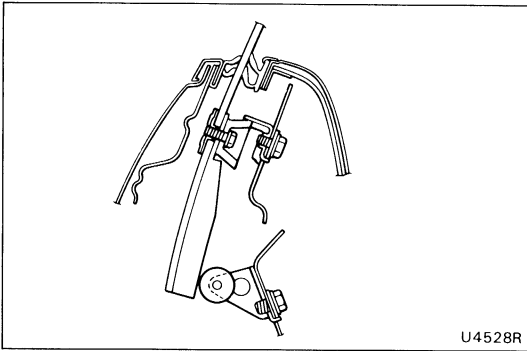
Adjust the rear glass guide.

(c) (In Vertical Direction)

Adjust the door glass stopper.

(d) (In Lean of Forward/Rearward Direction)

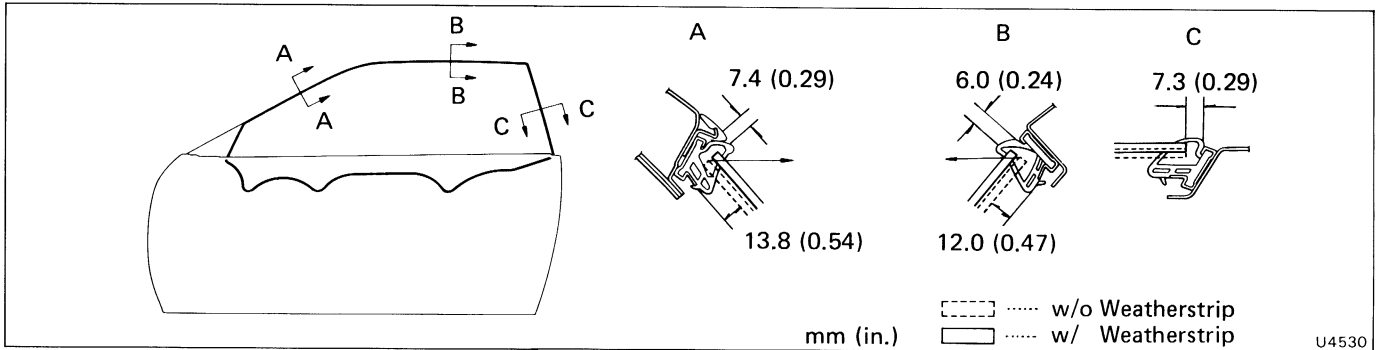
Adjust the equalizer arm bracket mounting bolts.



18. ADJUST INNER STABILIZER

With the door glass fully closed, adjust the inner stabilizer so it lightly makes contact with the glass plate.

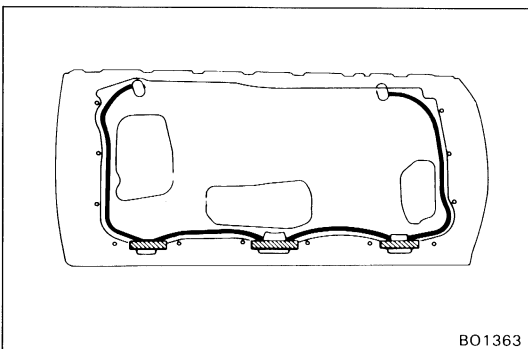
19. TIGHTEN EACH BOLT, NUT OF EACH PART



20. CHECK DOOR GLASS

- (a) When you close the door with the glass fully closed, check that the A-A, B-B, C-C sections are in the same condition as shown in the illustration.
- (b) When you close the door with the glass fully closed, be careful that the glass is not caught in the weatherstrip.
- (c) When you raise up the glass, check that the glass and the roof weatherstrip retainer are parallel and the front and rear door glass stoppers touch at the same time.
- (d) When you raise up the glass to the middle, check that the gap of the glass is not big in the door trim support.
- (e) Check the door trim support does not push the door glass too much.
- (f) Check that the glass move smoothly.

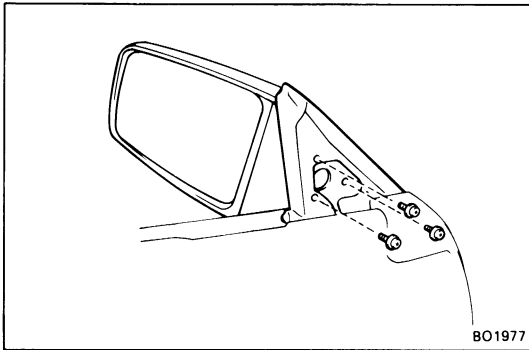
If the above conditions are not met, readjust the glass.



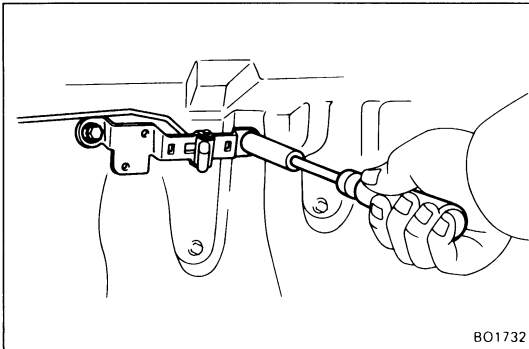
21. INSTALL SERVICE HOLE COVER

- (a) Install the service hole cover with adhesive.
- (b) Insert the lower edge of the cover into the panel slit.
- (c) Seal the panel slit with cotton tape.

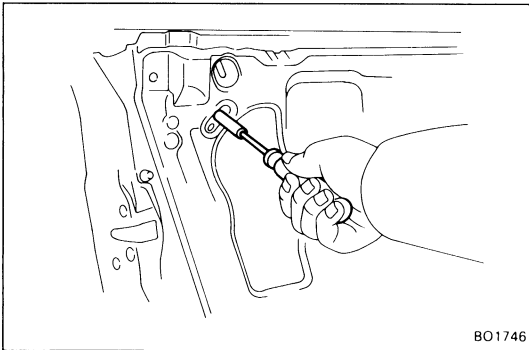
NOTICE: Do not block the trim clip seating with the tape.

**22. INSTALL REAR VIEW MIRROR**

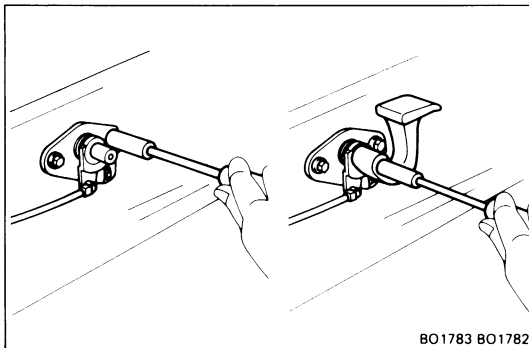
- (a) Install the rear view mirror with the three screws.
- (b) Connect the connector to the mirror.
- (c) Install the cover.

**23. INSTALL DOOR LOCK LEVER**

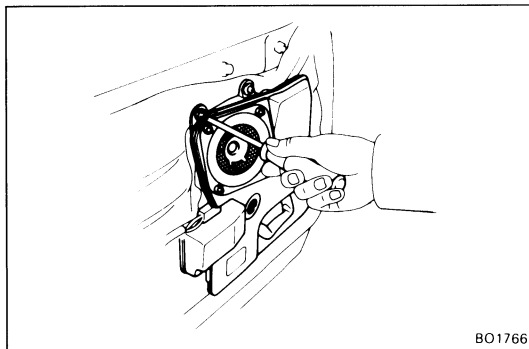
- (a) Connect the link to the door lock lever.
- (b) Install the two screws.
- (c) Connect the connector to the switch.

**24. ADJUST DOOR LOCK CONTROL**

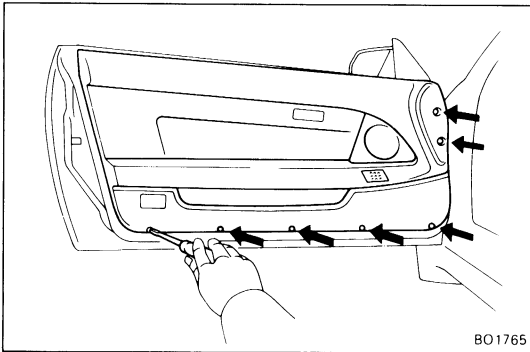
- (a) Peel off the outer ridges of the service hole cover.
- (b) Loosen the adjusting bolt.
- (c) Lock the door lock lever and tighten the adjusting bolt.
- (d) Install the outer ridges of the service hole cover.

25. CHECK DOOR LOCK OPERATION**26. INSTALL INSIDE HANDLE**

- (a) Connect the link to the inside handle control.
- (b) Install the inside handle control with the three screws.
- (c) Install the inside handle with the screw.

27. INSTALL DOOR LOCK CONTROL RELAY**28. INSTALL SPEAKER**

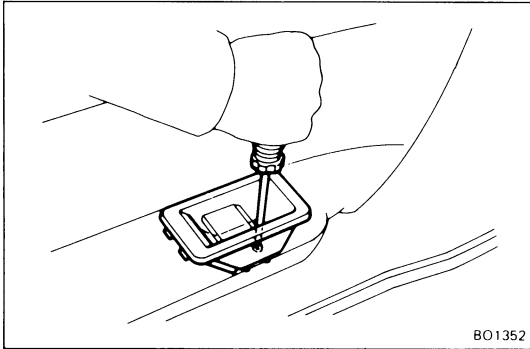
- (a) Install the speaker with four screws.
- (b) Connect the connector to the speaker.



BO1765

29. INSTALL DOOR TRIM

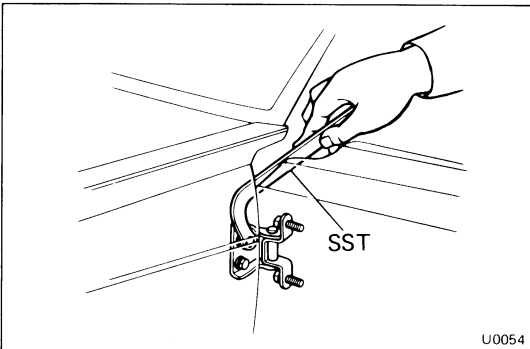
- (a) Connect the connector to the switch.
- (b) Install the door trim with clips to the inside door panel by tapping.
- (c) Install the seven screws.

30. INSTALL DOOR COURTESY LIGHT

BO1352

31. INSTALL INSIDE HANDLE BEZEL**32. INSTALL DOOR LOCK LEVER BEZEL****33. INSTALL PULL HANDLE**

- (a) Connect the connector to the power window switch.
- (b) Install the pull handle with the power window switch.

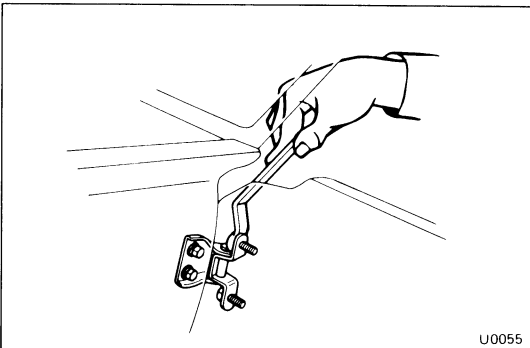
34. INSTALL SPEAKER COVER

U0054

ADJUSTMENT OF FRONT DOOR**1. ADJUST DOOR IN FORWARD/REARWARD AND VERTICAL DIRECTIONS**

Using SST, adjust the door by loosening the body side hinge bolts.

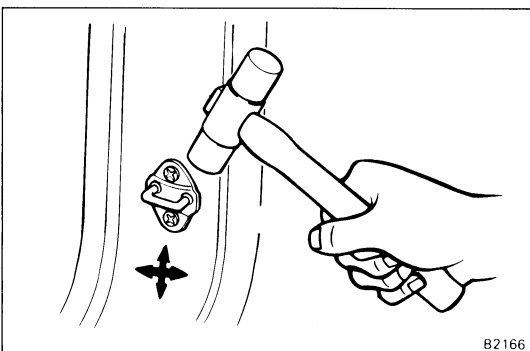
SST 09812-00010



U0055

2. ADJUST DOOR IN LEFT/RIGHT AND VERTICAL DIRECTIONS

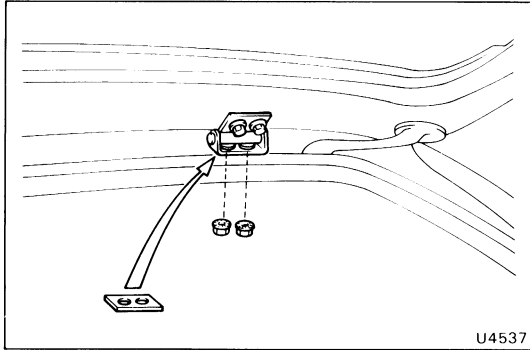
Adjust the door by loosening the door side hinge bolts.



82166

3. ADJUST DOOR LOCK STRIKER

- (a) Check that the door fit and door lock linkages are adjusted correctly.
- (b) Adjust the striker position by slightly loosening the striker mounting screws, and hitting the striker with a hammer.
- (c) Tighten the striker mounting screws again.



BACK DOOR

ADJUSTMENT OF BACK DOOR

1. ADJUST DOOR IN FORWARD/REARWARD AND LEFT/RIGHT DIRECTION

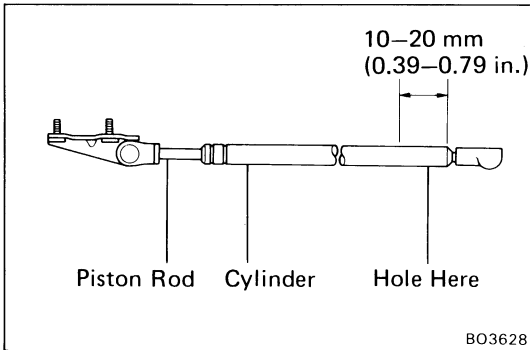
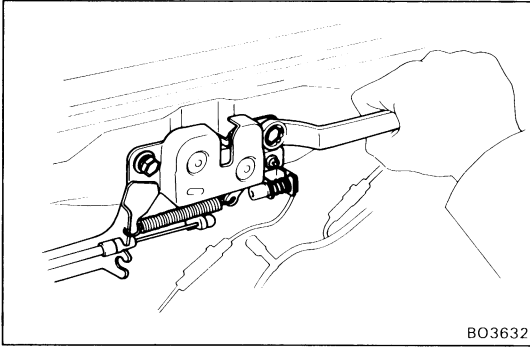
Adjust the door by loosening the door side hinge bolts.

2. ADJUST DOOR IN VERTICAL DIRECTION

Adjust the door by increasing or decreasing the number of the shims.

3. ADJUST LOCK

Adjust the lock by loosening the bolts.



Back Door Damper Stay

NOTICE: Handling the damper.

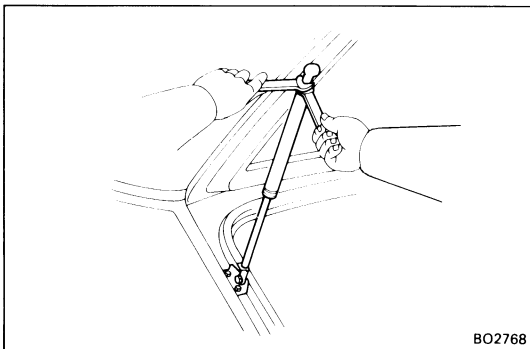
- Do not disassemble the damper because the cylinder is filled with pressurized gas.
- If the damper is to be replaced, drill a 2.0 – 3.0 mm (0.079 – 0.118 in.) hole in the bottom of the removed damper cylinder to completely release the high-pressure gas before disposing of it.
- When drilling, chips may fly out so work carefully.
- The gas is colorless, odorless and non-toxic.
- When working, handle the damper carefully. Never score or scratch the exposed part of the piston rod, and never allow paint or oil to get on it.
- Do not turn the piston rod and cylinder with the damper fully extended.

REMOVAL OF BACK DOOR DAMPER STAY

- REMOVE ROOF SIDE INNER GARNISH
- REMOVE DAMPER STAY LOWER END FROM BODY
- REMOVE DAMPER STAY UPPER END FROM BACK DOOR

INSTALLATION OF BACK DOOR DAMPER STAY

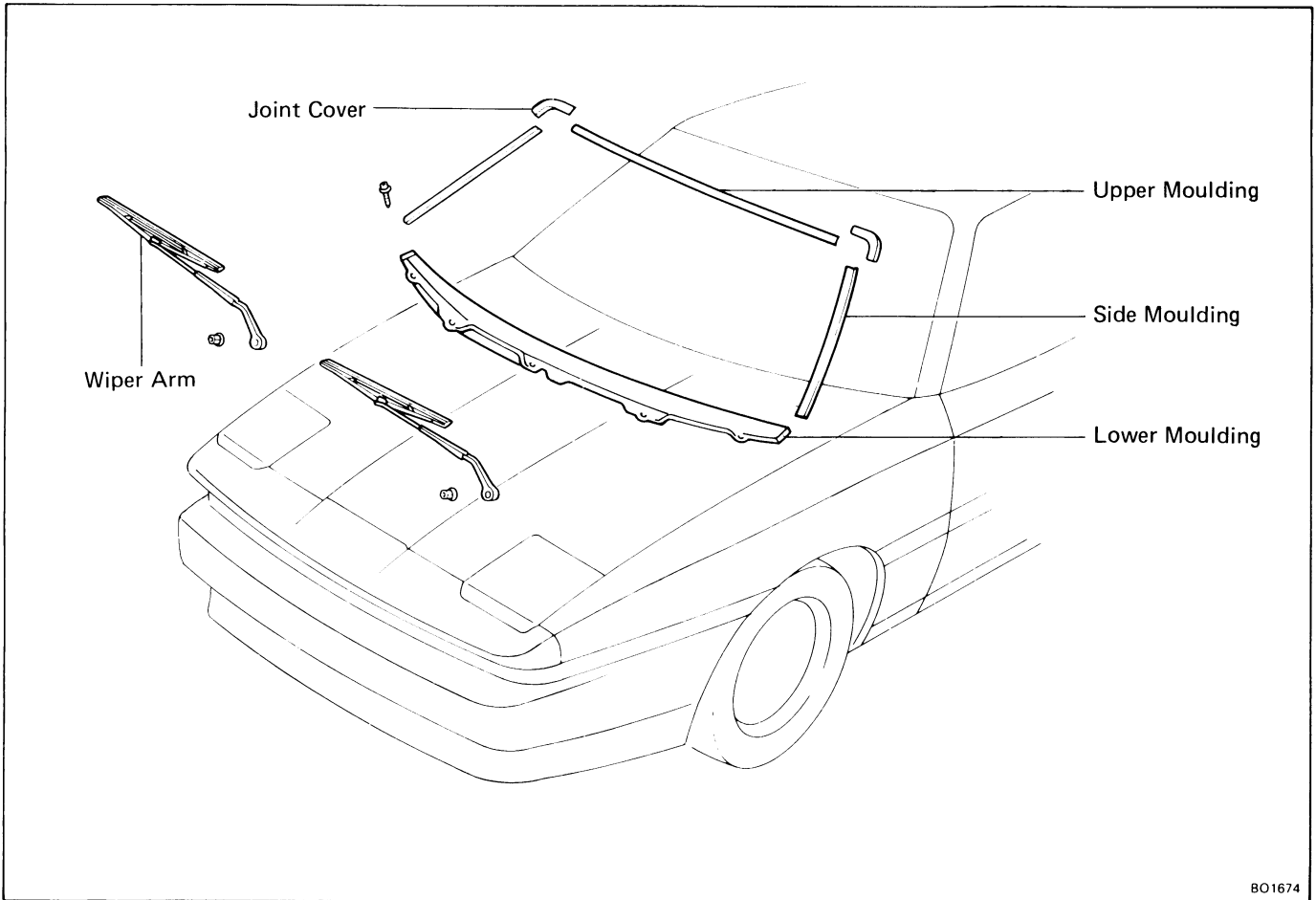
- INSTALL DAMPER STAY UPPER END TO BACK DOOR
- INSTALL DAMPER STAY LOWER END TO BODY
- INSTALL ROOF SIDE INNER GARNISH



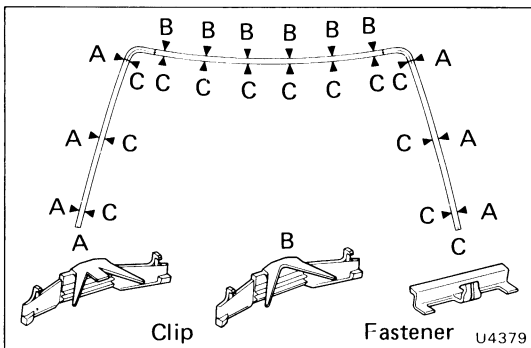
MOULDING

Windshield Outside Moulding

COMPONENTS



BO1674



REMOVAL OF OUTSIDE MOULDING

There are two types of clips for moulding installation. Locations of these clips and fasteners are as shown in the figure.

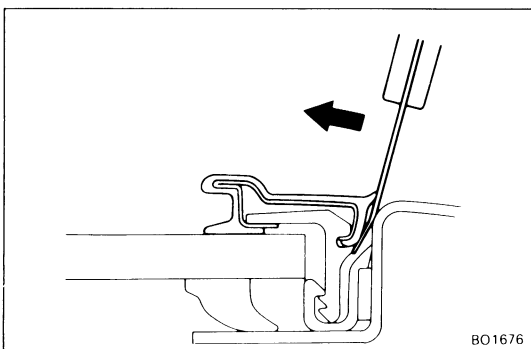
Carefully apply adhesive tape to protect the body.

1. REMOVE SIDE AND UPPER MOULDING

- (a) Insert the tip of a scraper between the body and moulding.
- (b) Pry up the scraper to loosen the moulding from the claws of the clips and fasteners.

HINT: Apply tape to the scraper blade to prevent scratching the vehicle body.

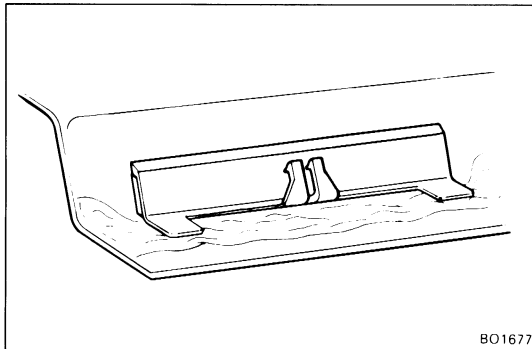
- (c) Remove the moulding.



BO1676

2. REMOVE WIPER ARMS**3. REMOVE LOWER MOULDING**

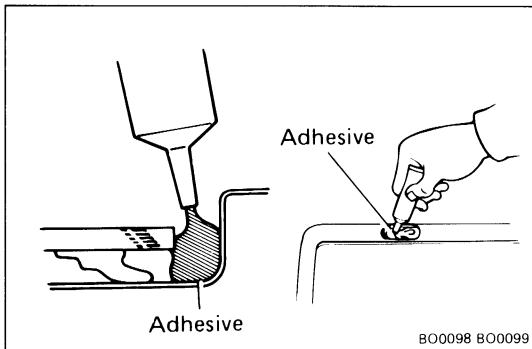
Remove the five screws and the moulding.

**REPLACEMENT OF FASTENER****REPLACE FASTENER**

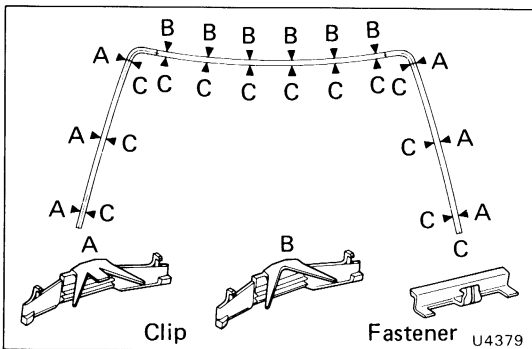
- (a) Remove the damaged fastener.
- (b) Cut off the old adhesive around the fastener installation area.

HINT: Be careful not to damage the body.

- (c) Clean the installation area.
- (d) Install a new fastener onto the body.

INSTALLATION OF OUTSIDE MOULDING**1. APPLY ADHESIVE AT A NEW CLIP INSTALLATION AREA****2. INSTALL UPPER AND SIDE MOULDING**

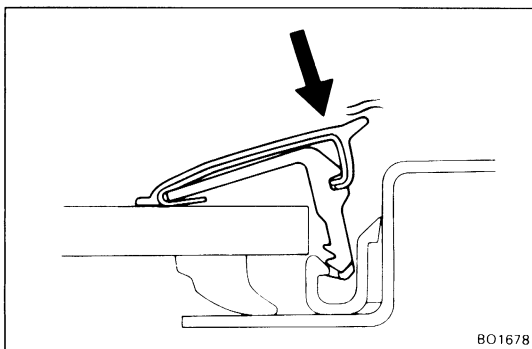
- (a) Check the position of the clips on the moulding and the installation area.
- (b) Place the moulding onto the body.



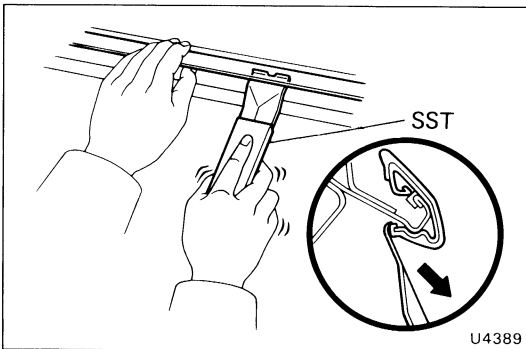
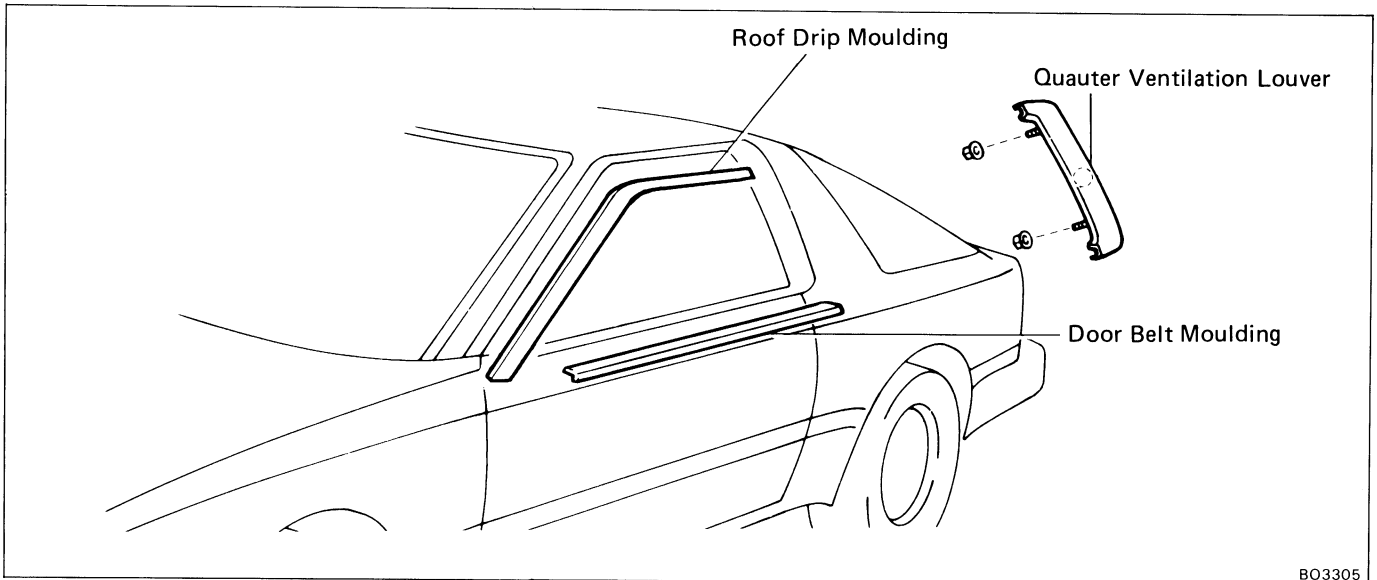
- (c) Tap the moulding with your hand to fasten the clips at the glass edge.
At the same time, install the fasteners by tapping them by hand.

3. INSTALL LOWER MOULDING

Install the moulding with the five screws.

4. INSTALL WIPER ARMS

Side Moulding and Garnish COMPONENTS

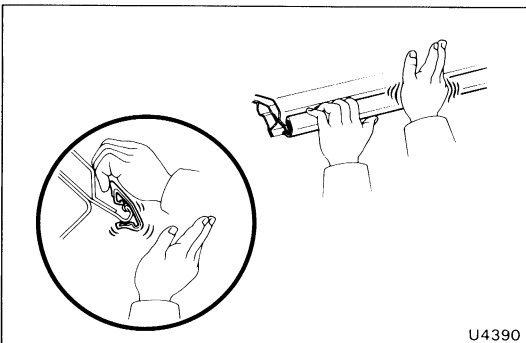


REMOVAL OF ROOF DRIP MOULDING

PULL OFF ROOF DRIP MOULDING

Using SST, pull off the roof drip moulding from both ends.
SST 09806-30010

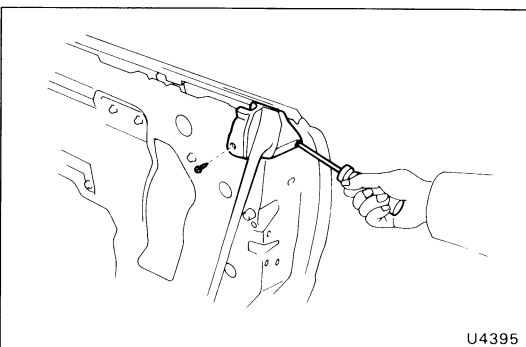
HINT: Remove the moulding corners last.



INSTALLATION OF ROOF DRIP MOULDING

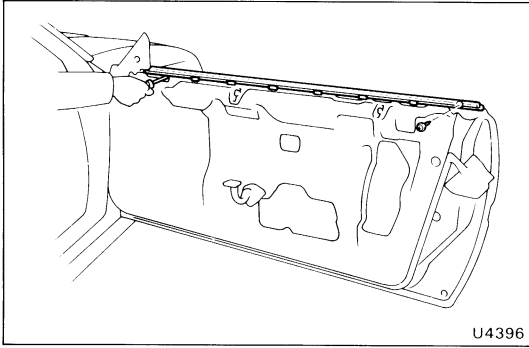
INSTALL DRIP MOULDING BY HAND

Attach the upper edge of the moulding to the body flange.
Tap on the moulding by hand.

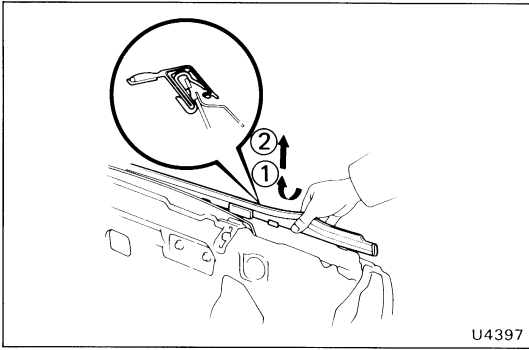


REMOVAL OF DOOR BELT MOULDING

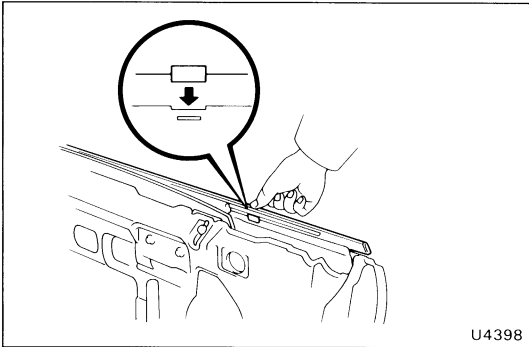
1. REMOVE DOOR TRIM
(See steps 1 to 6 on page BO-6)
2. REMOVE DOOR MIRROR BRACKET AND MIRROR
(See steps 10 and 14 on page BO-7)
3. REMOVE DOOR BELT MOULDING
 - (a) Remove two screws and rear side of the door weatherstrip.



(b) Remove the two screws from the moulding.



(c) Pry the clips and remove the door belt moulding.



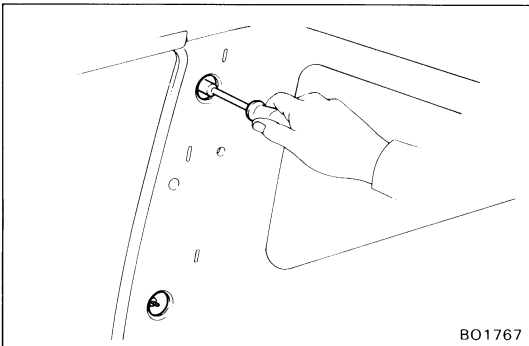
INSTALLATION OF DOOR BELT MOULDING

1. INSTALL DOOR BELT MOULDING

- (a) Push the moulding onto the clips to install.
- (b) Install two screws.
- (c) Install rear side of the door weatherstrip and two screws.

2. INSTALL DOOR MIRROR BRACKET AND MIRROR (See steps 14 on page BO-12 and step 20 page BO-14)

3. INSTALL DOOR TRIM (See steps 27 to 32 on page BO-15)

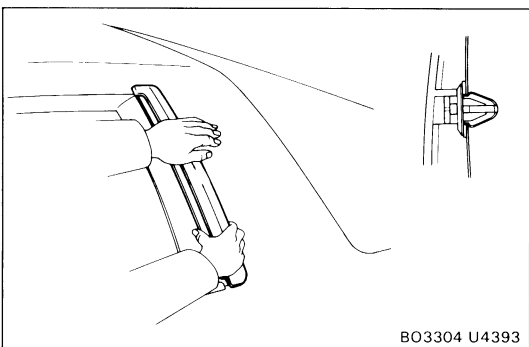


REMOVAL OF QUARTER VENTILATION LOUVER

1. REMOVE ROOF SIDE INNER GARNISH (See step 1 on page BO-38 to step 8 on page BO-39)

2. REMOVE QUARTER VENTILATION LOUVER

- (a) Remove two nuts.
- (b) Using a screwdriver, pry the clip and remove the quarter ventilation louver.



INSTALLATION OF QUARTER VENTILATION LOUVER

1. INSTALL QUARTER VENTILATION LOUVER

- (a) Tap the moulding onto the clip by hand.
- (b) Install two nuts.

2. INSTALL ROOF SIDE INNER GARNISH (See pages 4 to 11 on page BO-40)

Body Outside Moulding

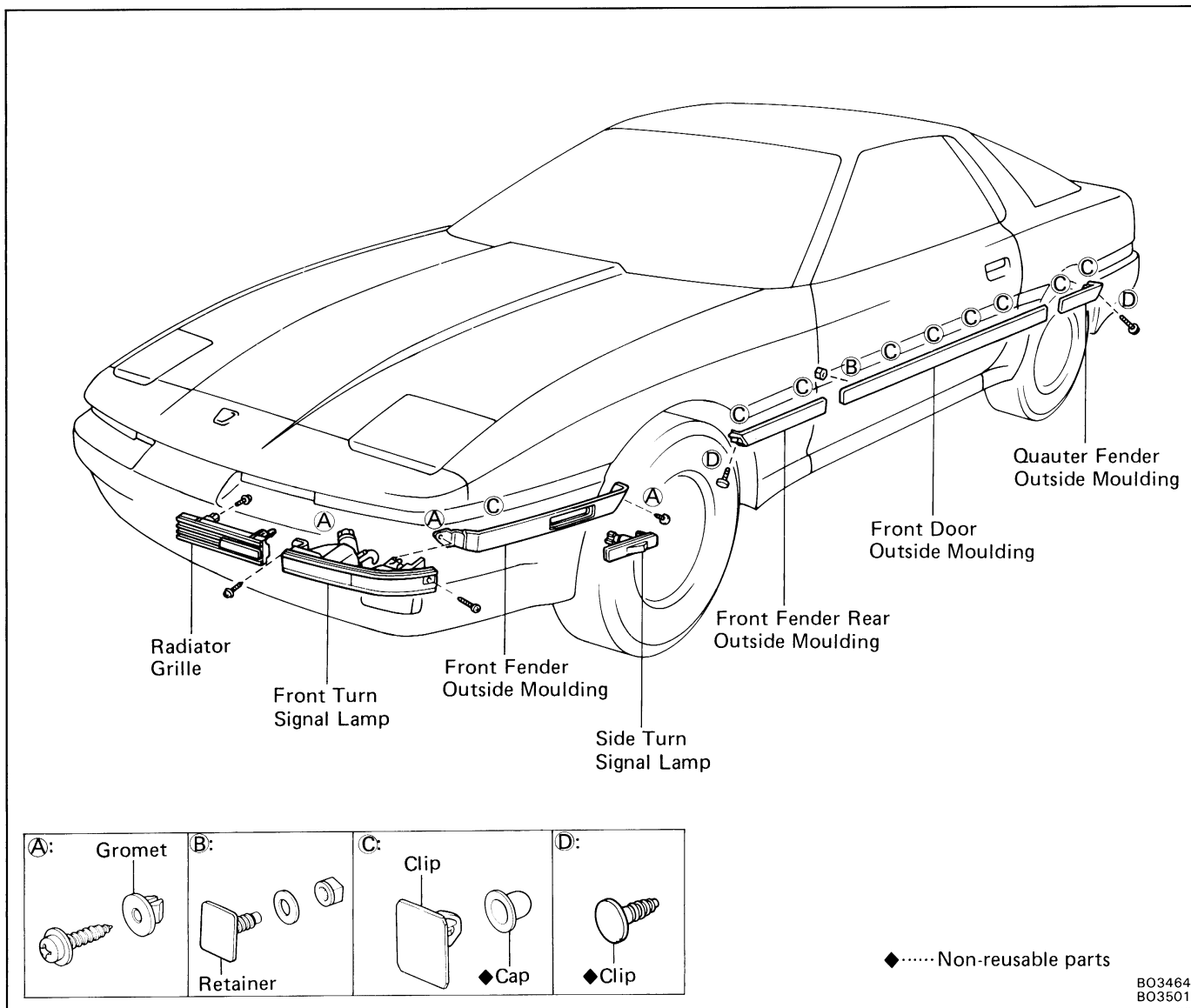
TOOLS AND SUPPLIES

| Part No. | Part name | Quantity |
|----------|--|----------|
| | Cleaner (for cleaning body and removing body oil stains) Heat light | |

Precautions for storing moulding material:

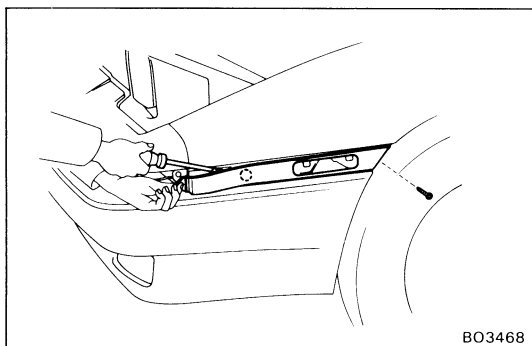
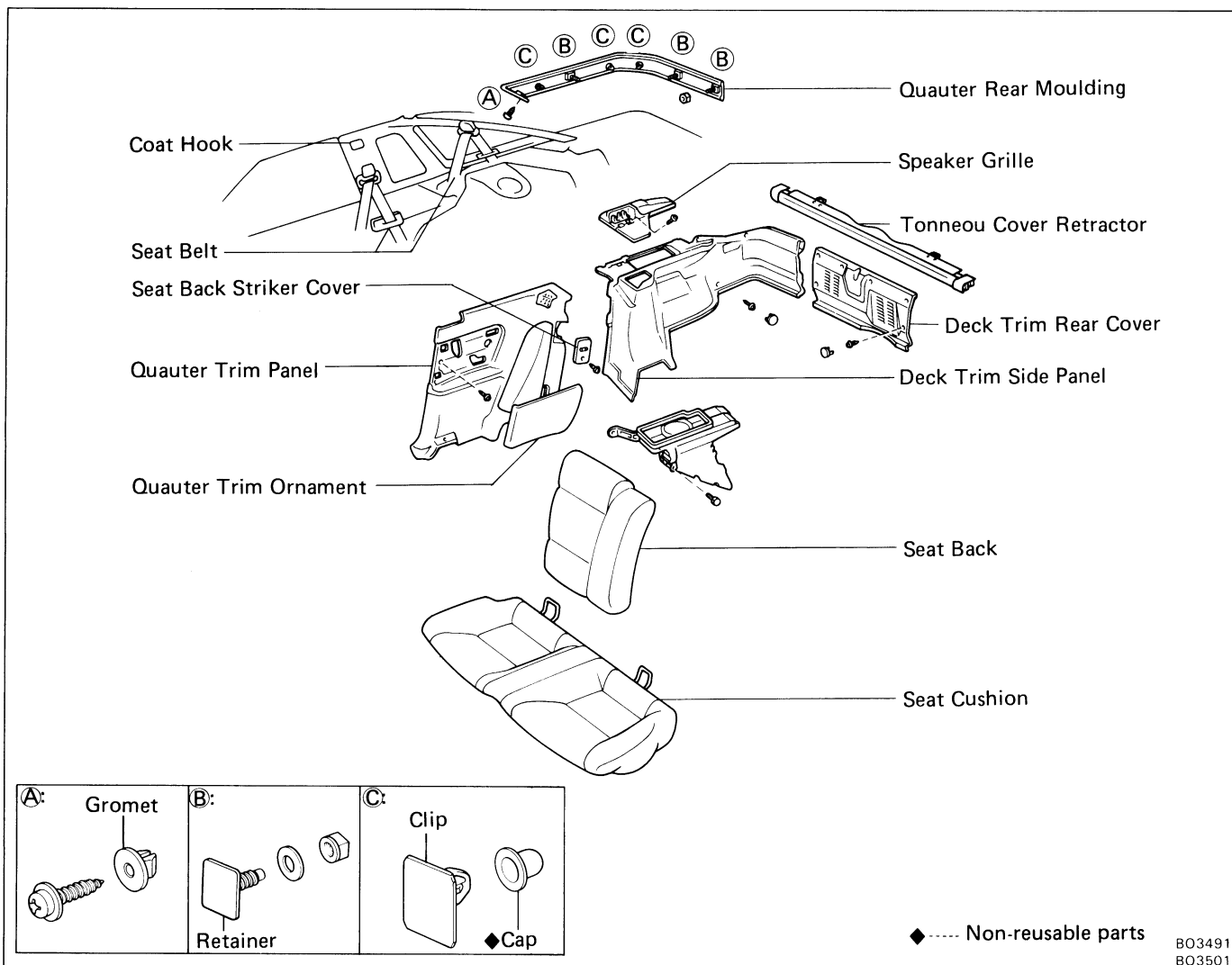
- Store in cool place, avoiding direct sunlight, high temperature and dust.
- The moulding is of polyvinyl chloride, so do not allow it to come in contact with thinner or other solvent, open flame, or boiling water.

COMPONENTS



B03464
B03501

COMPONENTS (Cont'd)



REMOVAL OF FRONT OUTSIDE MOULDING

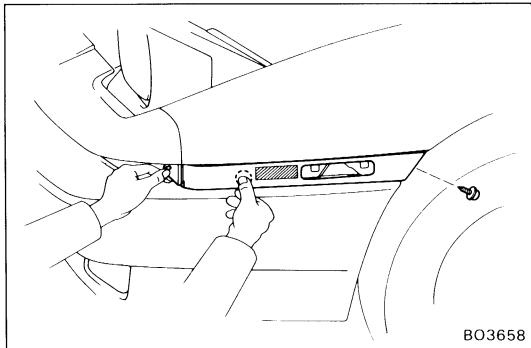
1. REMOVE RADIATOR GRILLE
 2. REMOVE FRONT AND SIDE TURN SIGNAL LAMP
 3. REMOVE FRONT FENDER OUTSIDE MOULDING
 - (a) Remove the screw.
 - (b) Using a screwdriver, pry off the outside moulding.
- HINT: Tape the screwdriver tip before use.

INSTALLATION OF FRONT FENDER OUTSIDE MOULDING

1. BEFORE INSTALLING MOULDING, REPLACE CAPS

Remove the remaining caps on the clip installation holes of the body, and install new caps.
2. CLEAN MOUNTING SURFACE OF BODY

Using cleaner, clean the mounting surface of the body.



3. INSTALL MOULDING

(a) Lift moulding release sheat from face of the moulding.

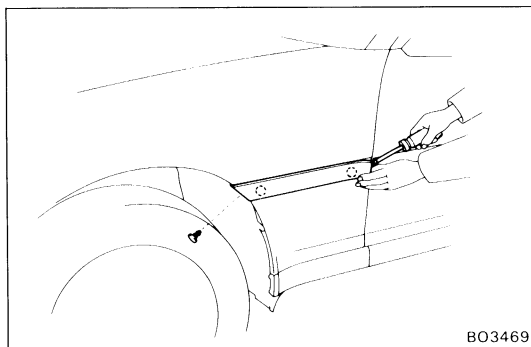
NOTICE: When the moulding release sheat is removed, be sure that no dirt or dust can get onto the uncovered area.

(b) Tap the moulding onto the clips by hand.

(c) Using a screwdriver, install a screw.

4. INSTALL FRONT AND SIDE TURN SIGNAL LAMP

5. INSTALL RADIATOR GRILLE



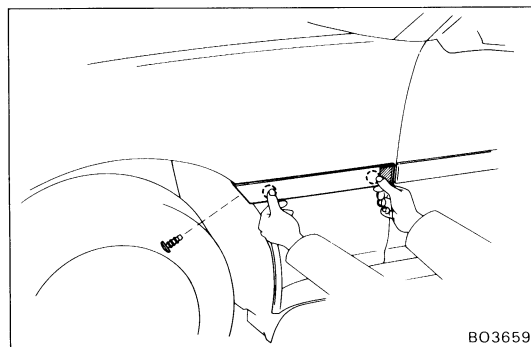
REMOVAL OF FRONT FENDER REAR OUTSIDE MOULDING

REMOVE FRONT FENDER REAR OUTSIDE MOULDING

(a) Remove a front side clip.

(b) Using a screwdriver, pry off the outside moulding.

HINT: Tape the screwdriver tip before use.



INSTALLATION OF FRONT FENDER REAR OUTSIDE MOULDING

INSTALL FRONT FENDER REAR OUTSIDE MOULDING

1. CLEAN MOUNTING SURFACE OF BODY

Using cleaner, clean the mounting surface of the body.

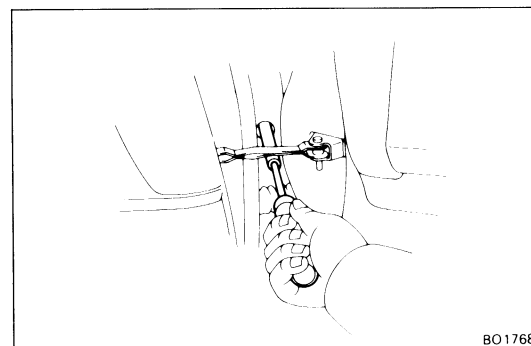
2. INSTALL FRONT FENDER REAR OUTSIDE MOULDING

(a) Lift moulding release sheat from face of the moulding.

NOTICE: When the moulding release sheat is removed be sure that no dirt or dust can get onto the uncovered area.

(b) Tap the moulding onto the clips by hand.

(c) Install the new frontside clip.



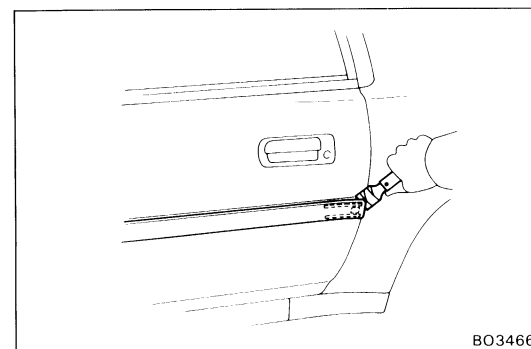
REMOVAL OF FRONT DOOR OUTSIDE MOULDING

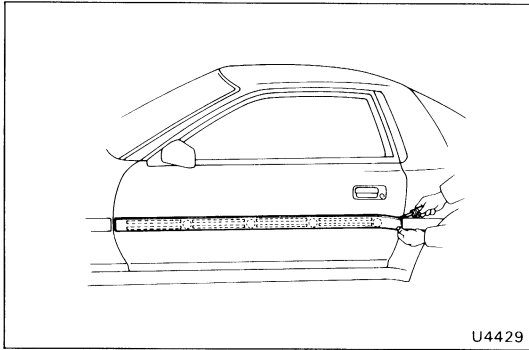
1. REMOVE FRONT DOOR OUTSIDE MOULDING

(a) Remove the nut.

(b) Using a scraper, peel off the acrylic formed tape of the moulding rear end.

HINT: Tape the scraper tip before use.

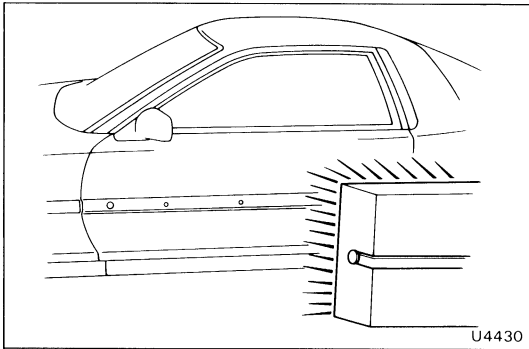




(c) Using a screwdriver, pry loose the clips.

HINT: Tape the screwdriver tip before use.

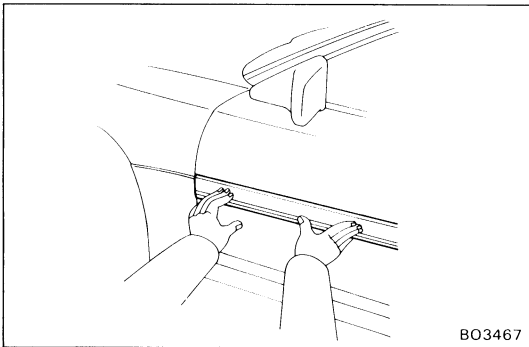
(d) Using the scraper, peel off the acrylic formed tape.



2. CLEAN MOULDING MOUNTING SURFACE

(a) Heat the acrylic formed tape on the body to 40°C – 60°C (104° – 140°F).

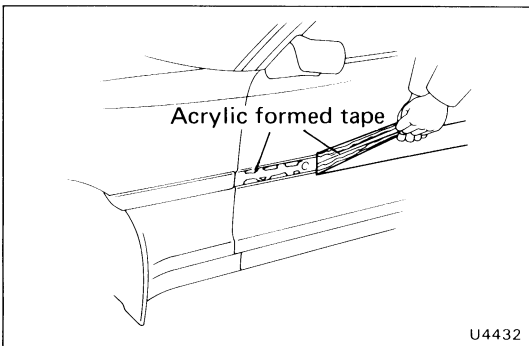
NOTICE: Do not touch the acrylic formed tape.



(b) Apply the polyester tape onto the acrylic formed tape and press it equal.

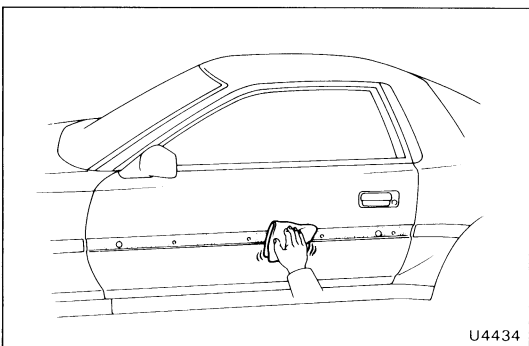
NOTICE: Do not heat the polyester tape.

Perform it quickly as soon as the acrylic formed tape is heated.

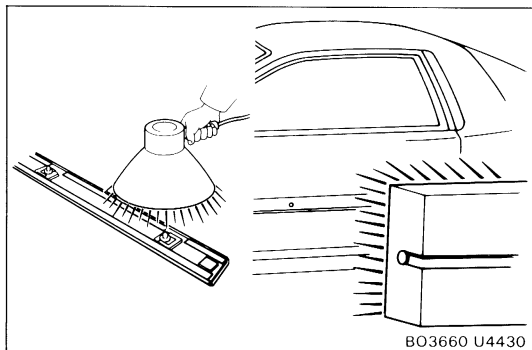


(c) Peel off the polyester tape.

(d) Perform the procedure again until the acrylic formed tape is mostly removed.



(e) Using cleaner, wipe off stains on the body.



INSTALLATION OF FRONT DOOR OUTSIDE MOULDING

1. HEAT BODY MOUNTING SURFACE AND BODY

- (a) Using cleaner, clean the mounting surface of the body.
- (b) Using a heat light, heat the body mounting surface and the moulding.

BODY: 40° – 60°C (104° – 140°F)

MOULDING: 20° – 30°C (68° – 86°F)

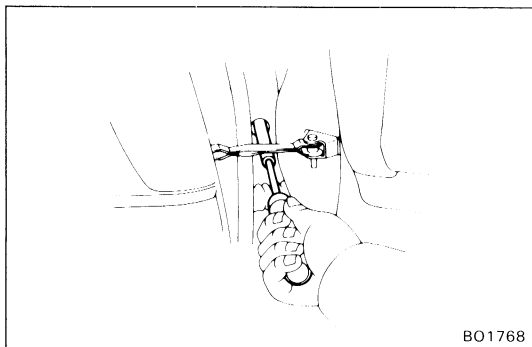
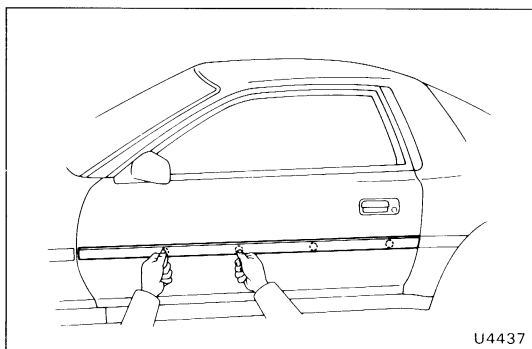
NOTICE: Do not heat moulding excessively.

2. INSTALL FRONT DOOR OUTSIDE MOULDING

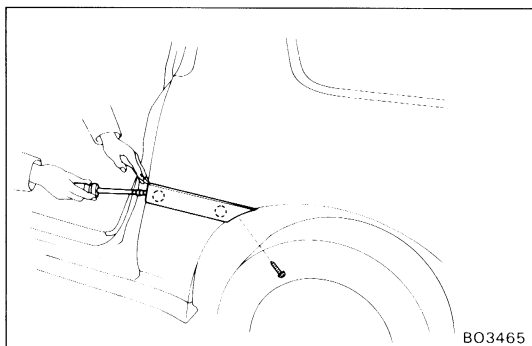
- (a) Lift moulding release sheet from face of moulding.

NOTICE: When the moulding release sheet is removed, be sure that no dirt or dust can get onto the uncovered area.

- (b) Tap the moulding onto the clips by hand.
- (c) Press the moulding equal by open hand.



- (d) Install a nut.

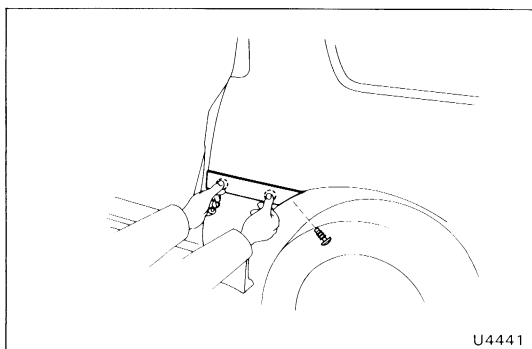


REMOVAL OF QUARTER OUTSIDE MOULDING

REMOVE QUARTER OUTSIDE MOULDING

- (a) Remove a rearside clip.
- (b) Using a screwdriver, pry off the outside moulding.

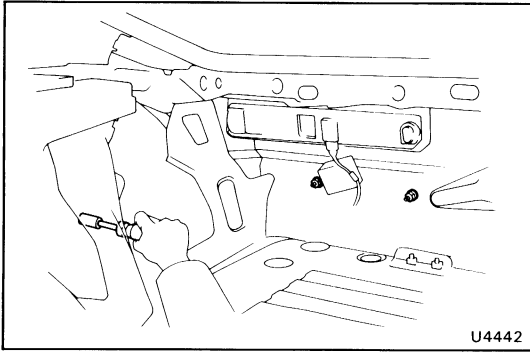
HINT: Tap the screwdriver tip before use.



INSTALLATION OF QUARTER OUTSIDE MOULDING

INSTALL QUARTER OUTSIDE MOULDING

- (a) Tap the moulding onto the clips by hand.
- (b) Install a rearside clip.



REMOVAL OF QUARTER REAR OUTSIDE MOULDING

1. REMOVE DECK TRIM SIDE PANEL
(See step 6 on page BO-39)
2. REMOVE QUARTER REAR OUTSIDE MOULDING

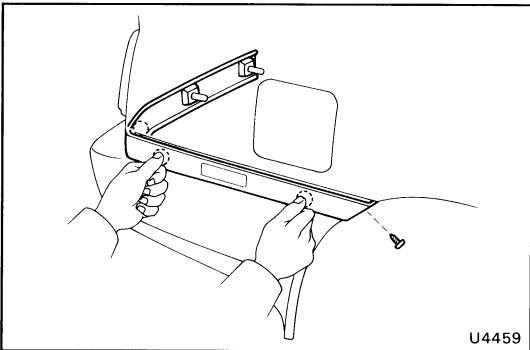
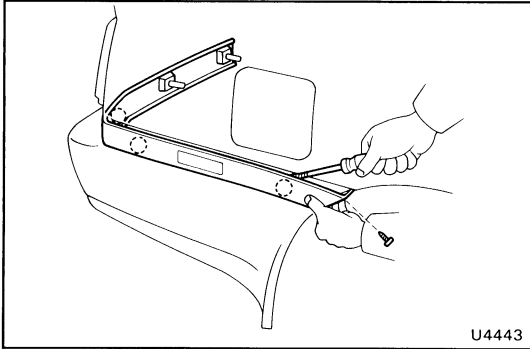
(a) Remove three nuts.

(b) Remove the screw.

(c) Using a screwdriver, pry off the outside moulding.

HINT: Tape the screwdriver tip before use.

(d) Disconnect the connector.



INSTALLATION OF QUARTER REAR OUTSIDE MOULDING

1. INSTALL QUARTER REAR OUTSIDE MOULDING

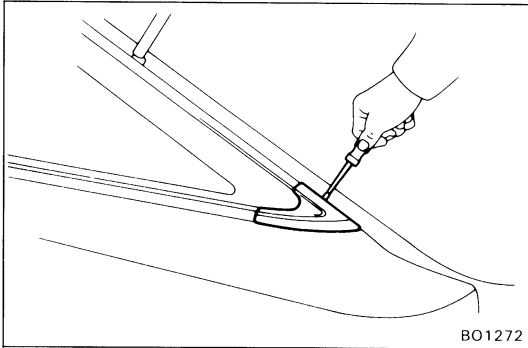
(a) Connect the connector.

(b) Tap the moulding onto the clips by hand.

(c) Install a screw.

(d) Install three nuts.

2. INSTALL DECK TRIM SIDE PANEL
(See step 6 on page BO-40)



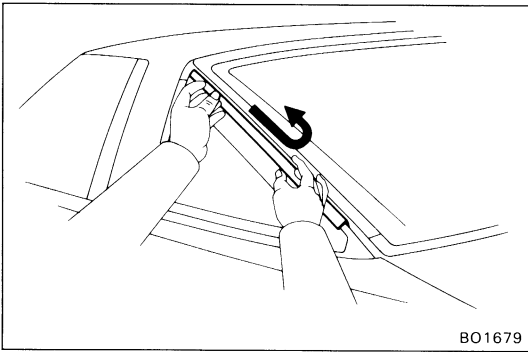
B01272

Quarter Window Moulding

REMOVAL OF QUARTER WINDOW MOULDING

1. REMOVE LOWER JOINT COVER

Remove the screw and joint cover.



B01679

2. REMOVE UPPER MOULDING

Slide the moulding out.

3. REMOVE UPPER JOINT COVER

4. REMOVE LOWER MOULDING

(a) Remove the quarter window glass.
(See pages BO-38 to 39)

(b) Remove the moulding from the glass.

INSTALLATION OF QUARTER WINDOW MOULDING

1. INSTALL LOWER MOULDING

(a) Install the moulding to the quarter window glass.

(b) Install the quarter window glass.
(See page BO-40)

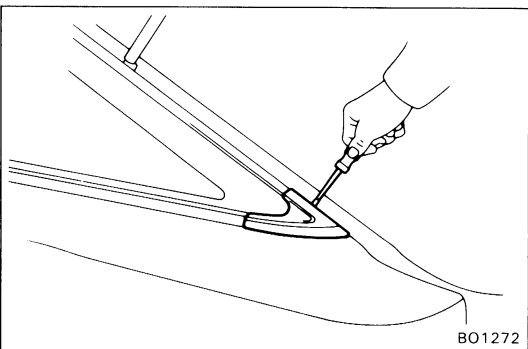
2. INSTALL UPPER JOINT COVER

3. INSTALL UPPER MOULDING

Tap the moulding onto the clips by hand.

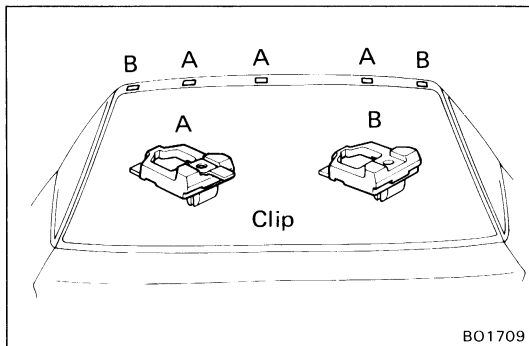
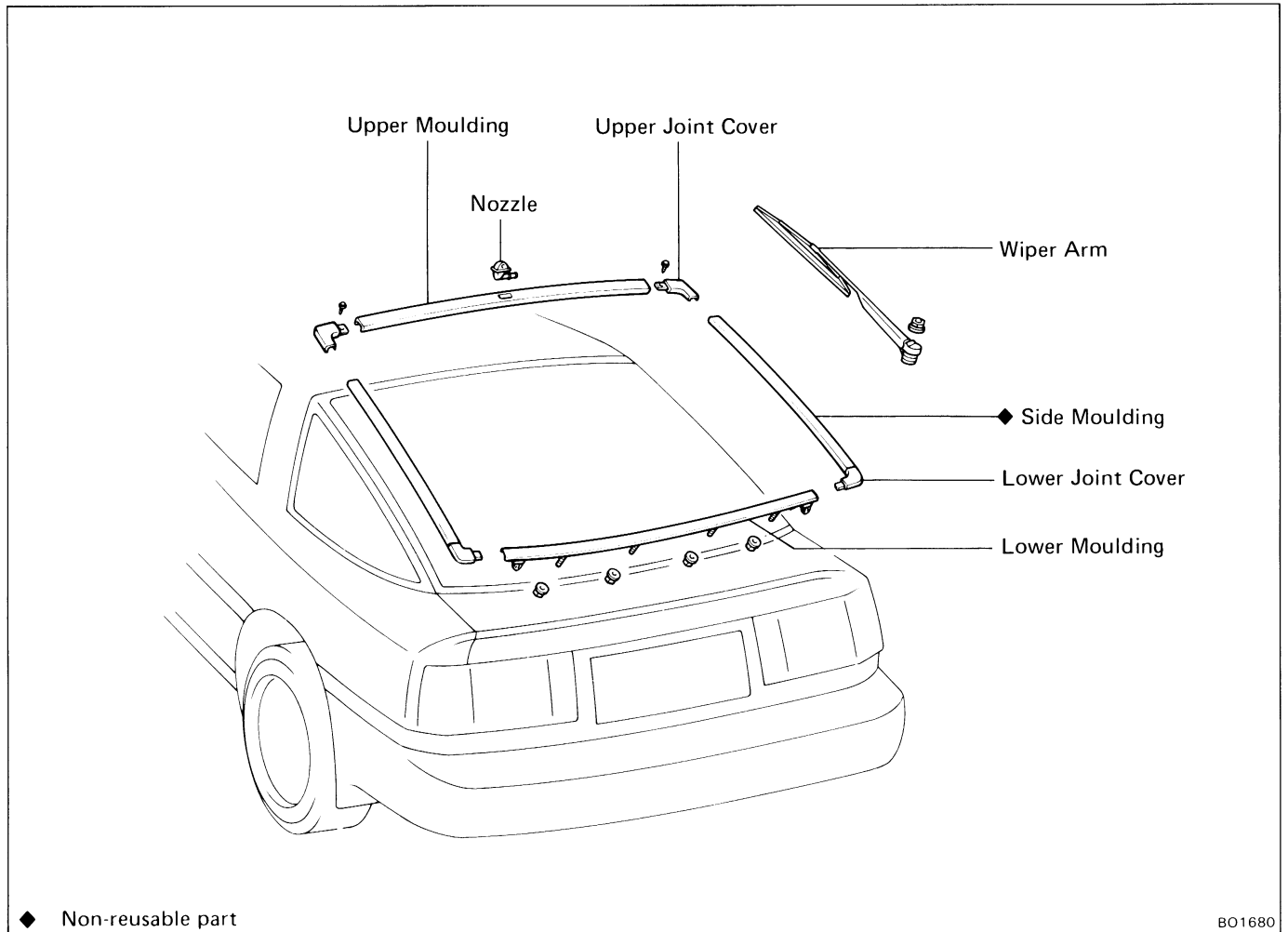
4. INSTALL LOWER JOINT COVER

Install the lower joint cover with a screw.



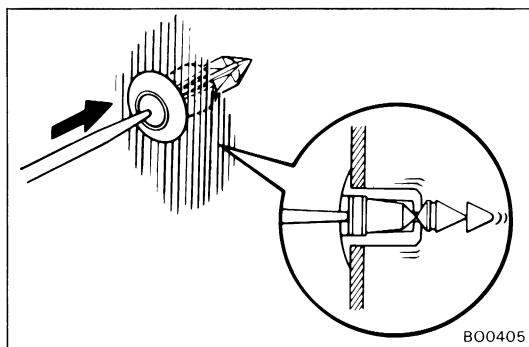
B01272

Back Door Moulding COMPONENTS

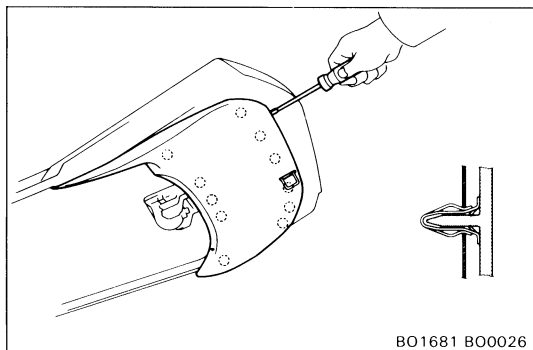


REMOVAL OF BACK DOOR MOULDING

There are two types of clips for moulding installation. Locations of these clips are as shown in the figure. Carefully apply adhesive tape to protect the body.

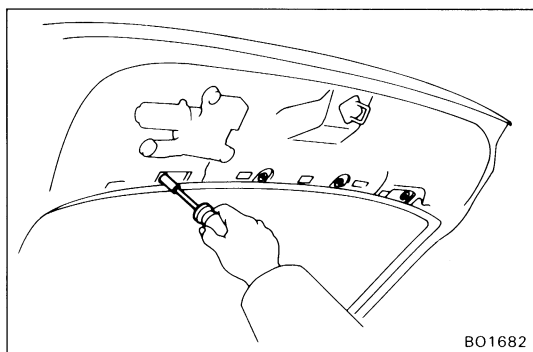


1. REMOVE REAR WIPER ARM
2. REMOVE HIGH MOUNT STOP LIGHT COVER
 - (a) Push on the center of the clip with a thin object to remove it.
 - (b) Remove the cover.

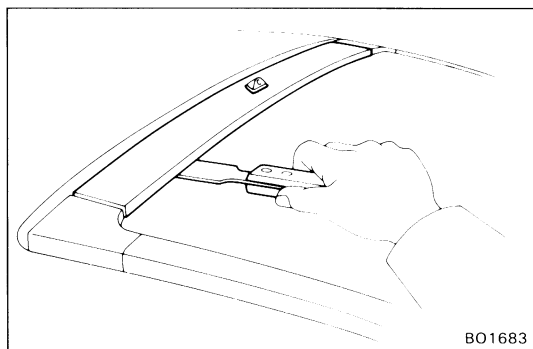
**3. REMOVE BACK DOOR TRIM BOARD**

- (a) Remove the tonneau cover hanger.
- (b) Using a screwdriver, pry out the clips and remove the back door trim board.

HINT: Tape the screwdriver tip before use.

**4. REMOVE LOWER MOULDING**

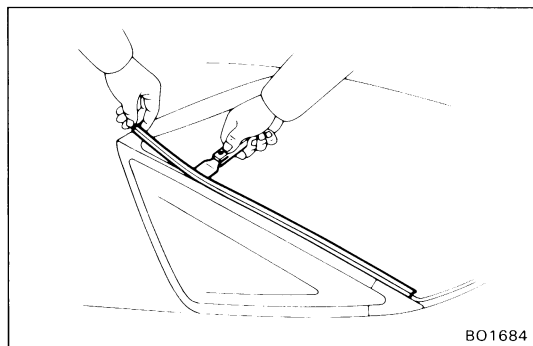
- (a) Remove four nuts.
- (b) Pry loose two clips with a scraper and remove the moulding.

5. REMOVE LOWER JOINT COVERS**6. REMOVE UPPER MOULDING**

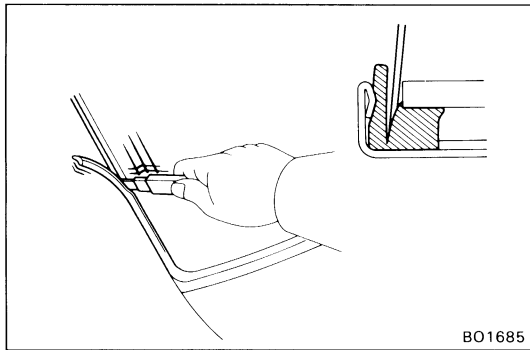
- (a) Pry loose the clips with a scraper and remove the moulding.
- (b) Remove the nozzle from the upper moulding.

7. REMOVE UPPER JOINT COVERS

Remove the clip set screws and joint covers.

**8. REMOVE SIDE MOULDING**

Using a scraper, pull off the moulding.

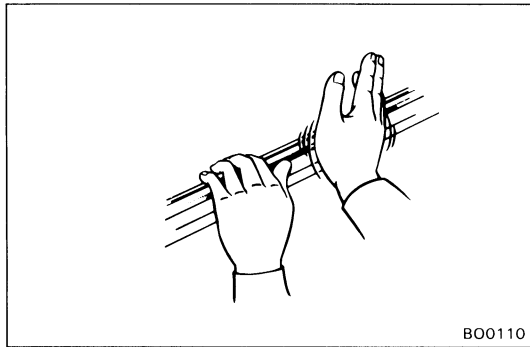


BO1685

INSTALLATION OF BACK DOOR MOULDING

1. INSTALL SIDE MOULDING

- (a) Cut off the old adhesive around the moulding installation area.
- (b) Apply the adhesive at the moulding installation area.
- (c) Tap the new moulding onto the body flange.



BO0110

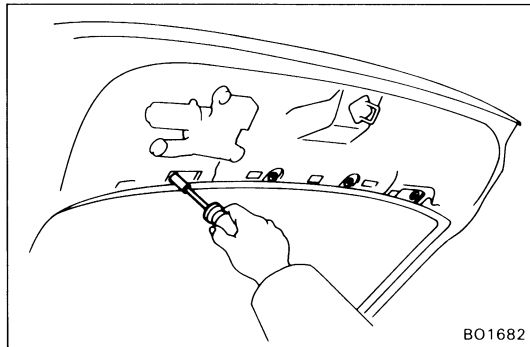
2. INSTALL UPPER JOINT COVERS

Install the joint covers and clip set screws.

3. INSTALL UPPER MOULDING

- (a) Install the nozzle and hose to the upper moulding.
- (b) Tap the moulding onto the clips by hand.

4. INSTALL LOWER JOINT COVERS



BO1682

5. INSTALL LOWER MOULDING

- (a) Tap the moulding onto the clips by hand.
- (b) Install four nuts.

6. INSTALL BACK DOOR TRIM BOARD

7. INSTALL HIGH MOUNT STOP LIGHT COVER

8. INSTALL REAR WIPER ARM

WINDSHIELD

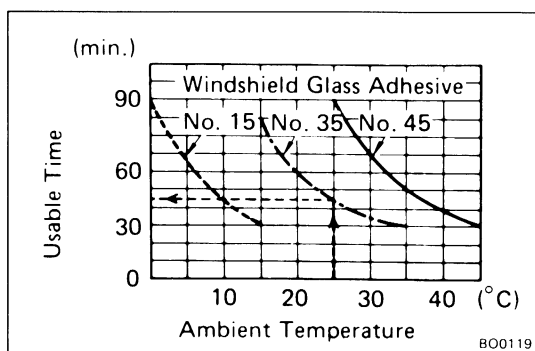
PREPARE ITEMS LISTED

| Part Name and No. | Contents of set | Quantity |
|---|---|---|
| Adhesive set 08850-00070 (0–15°C or 32–59°F) 08850-00080 (15–35°C or 59–95°F) 08850-00090 (35–45°C or 95–113°F) | Main agent 500 g (17.64 oz.) Hardening agent 75 g (2.65 oz.) Primer G (for glass) 20 g (0.71 oz.) Primer M (for body) 20 g (0.71 oz.) Sponge (for applying primer) Piano wire 0.6 mm dia. x 1 m (0.024 x 39.37 in.) Cartridge | 1 ea. 1 ea. 1 ea. 1 ea. 2 ea. 1 ea. 1 set |
| Dam kit 04562-30040 | Dam Double-stick tape (for sticking on dam) | |
| | Sealant gun (for applying adhesive) Glass of steel sheet (for mixing adhesive) Putty spatula (for mixing adhesive and correcting adhered parts) Cleaner (for cleaning adhering surface) | |

| Ambient temperature | Part No. | Part name |
|---------------------------|-------------|--------------------------------------|
| 0 – 15°C (32 – 59°F) | 08850-00070 | Windshield glass adhesive set No. 15 |
| 15 – 35°C (59 – 95°F) | 08850-00080 | Windshield glass adhesive set No. 35 |
| 35 – 45°C (95 – 113°F) | 08850-00090 | Windshield glass adhesive set No. 45 |

1. CHOOSE SUITABLE ADHESIVE SET

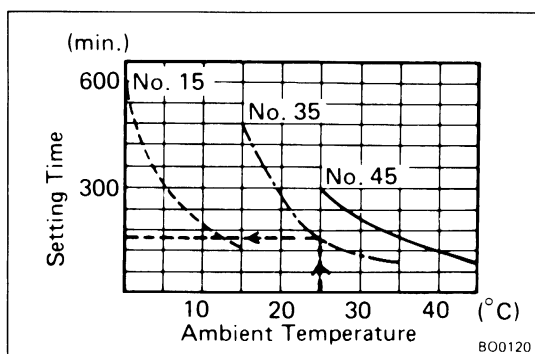
Use an adhesive set suitable for the ambient temperature.



2. CHECK ADHESIVE USABLE TIME

After mixing the main and hardening agents, finish glass installation within the specified time as shown.

Example: For glass installation in ambient temperature of 25°C (77°F), apply adhesive set No.35 within 45 minutes.



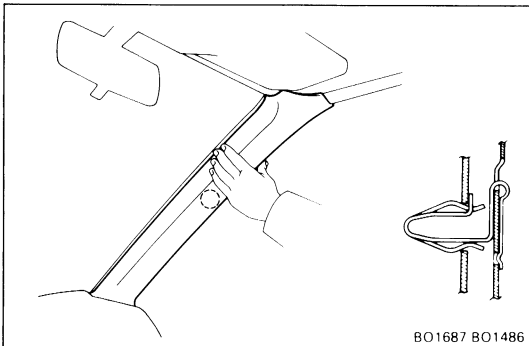
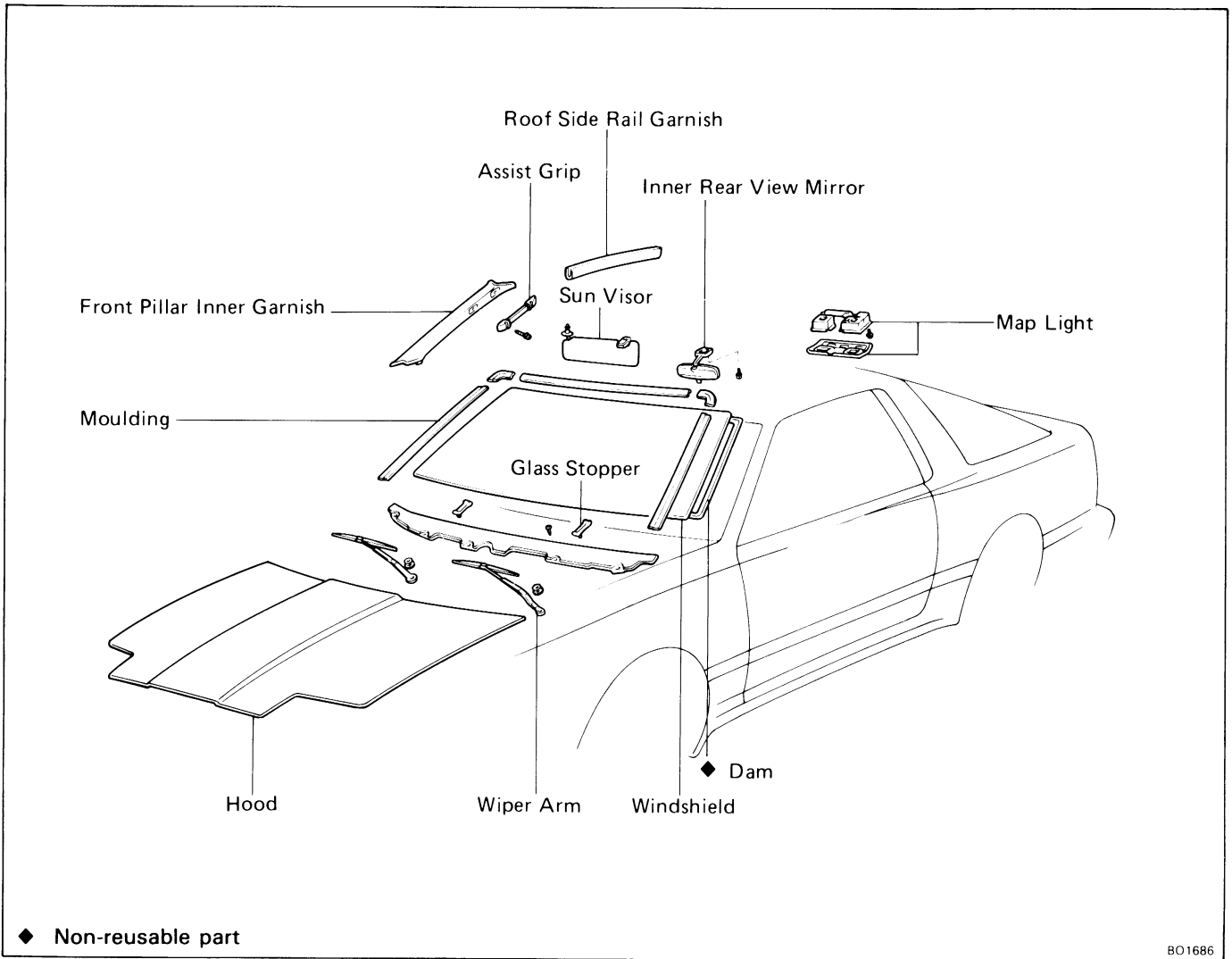
3. CHECK ADHESIVE SETTING TIME

First, mix the main and hardening agents. Then, perform a leak test only after the setting time has elapsed.

Example: The setting time for adhesive set No.35 with an ambient temperature of 25°C (77°F) is 2.5 hours.

NOTICE: Do not drive the vehicle until at least double the setting time has elapsed.

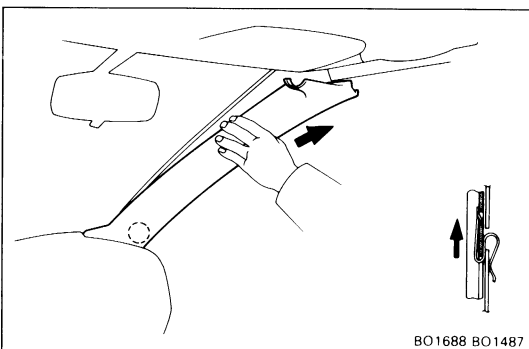
COMPONENTS



REMOVAL OF WINDSHIELD

1. REMOVE FRONT PILLAR INNER GARNISH

- (a) Remove the assist grips.
- (b) Pry out two clips by your hand.



- (c) Pull the garnish upward to remove it.

2. REMOVE FOLLOWING PARTS:

- (a) Map light
- (b) Inner rear view mirror
- (c) Sun visors and holders
- (d) Roof side rail garnish
- (e) Hood
- (f) Wiper arms

**3. REMOVE WINDSHIELD MOULDING
(See pages BO-17, 18)**

4. REMOVE CLIPS (See page BO-17)

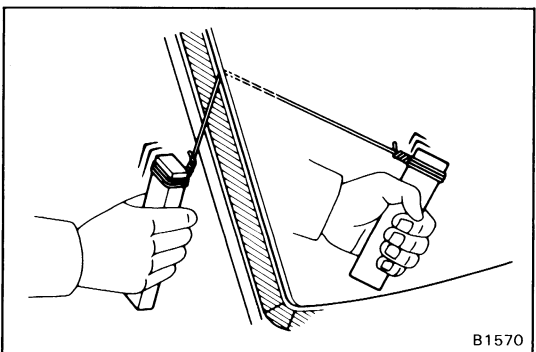
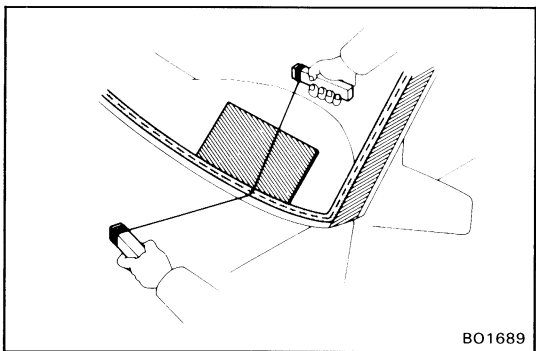
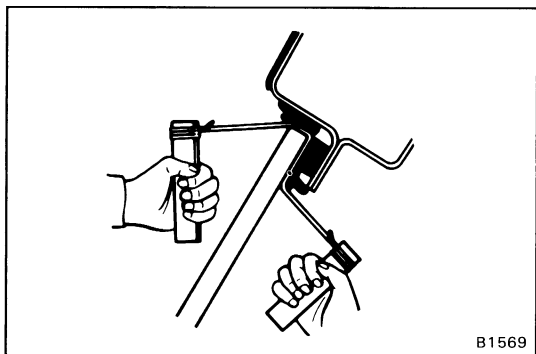
Be careful not to damage the clips when removing them from around the glass.

HINT: It is not necessary to remove the fasteners but damaged fasteners should be replaced.

5. REMOVE WINDSHIELD GLASS

- (a) Push piano wire through from the interior.
- (b) Tie both wire ends to a wooden block or like object.

HINT: Apply adhesive tape to the outer surface to keep the surface from begin scratched.

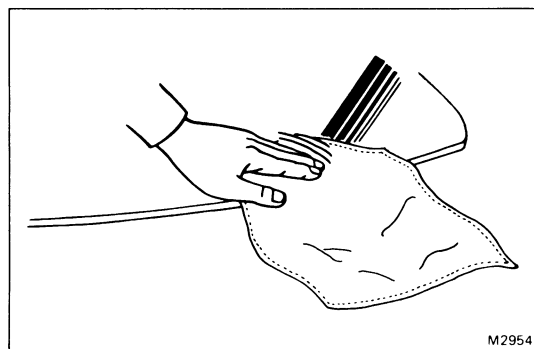
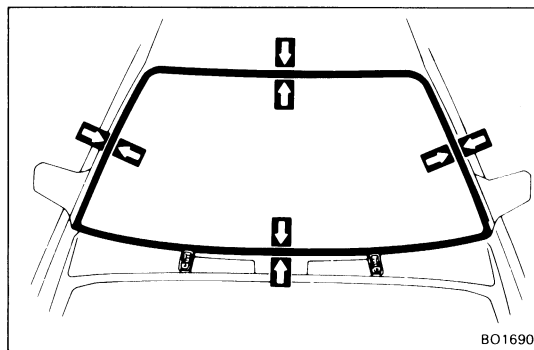
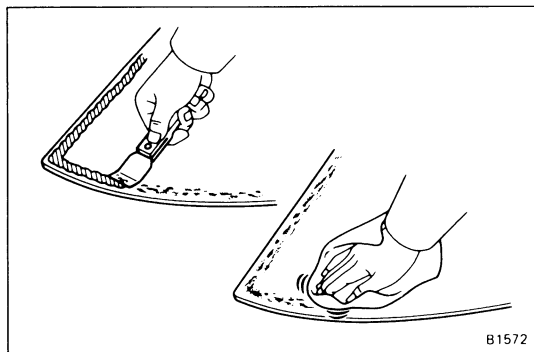
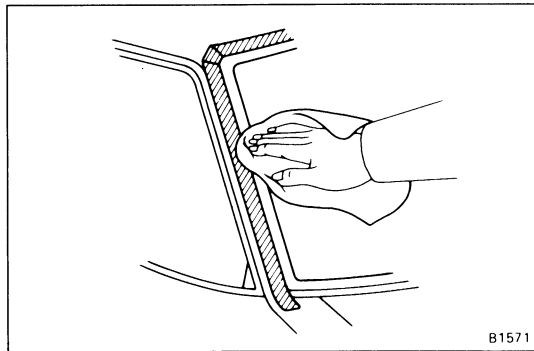
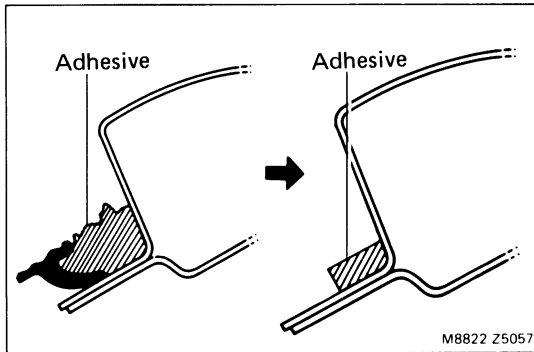


NOTICE: When separating, take care not to damage the paint and interior and exterior ornaments.

To prevent scratching the safety pad when removing the windshield, place a plastic sheet between the piano wire and safety pad.

- (c) Cut the adhesive by pulling the piano wire around it.
- (d) Remove the glass.

NOTICE: Cut off the glass, leaving as much of the adhesive layer on the body as possible.



PREPARATION OF INSTALLATION

1. CLEAN AND SHAPE CONTACT SURFACE OF BODY

- (a) Remove any dam remaining on the body.
- (b) Cut away any rough areas with a knife.

HINT: Leave as much adhesive layer on the body as possible.

- (c) Clean the cut surface of the adhesive with a piece of cloth saturated in cleaner.

HINT: Even if all the adhesive has been removed, clean the body.

2. IF NECESSARY, REPLACE FASTENERS (See page BO-18)

3. CLEAN REMOVED GLASS BEFORE INSTALLATION

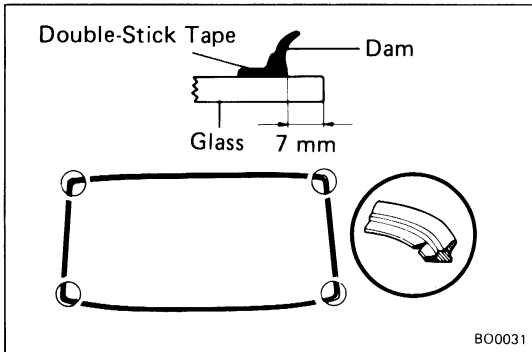
- (a) Using a scraper, remove the adhesive sticking to the glass.
- (b) Clean the glass with a piece of cloth saturated in cleaner.

4. POSITION GLASS

- (a) Place the glass with the stoppers onto the body in correct position.
- (b) Check that all contacting parts of the glass rim are perfectly even and do not make contact with the moulding fasteners.
- (c) Make reference marks between the glass and body.
- (d) Remove the glass.

5. CLEAN CONTACT SURFACE OF GLASS

Using cleaner, clean the contact surface 15 — 30 mm (0.59 — 1.18 in.) wide on the entire glass rim.



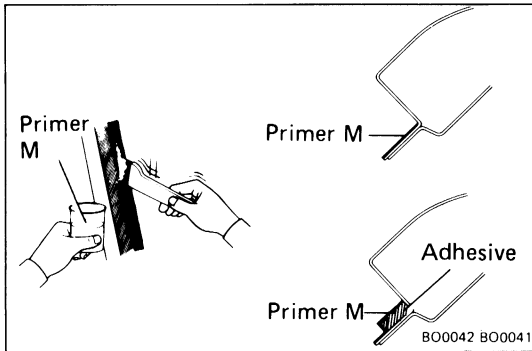
INSTALLATION OF WINDSHIELD

1. INSTALL DAM

- (a) Apply double-stick tape at a point 7 mm (0.28 in.) from the glass rim.
- (b) Place the dam on the double-stick tape.

HINT: Cut a V-wedge into the corner folds of the dam.

NOTICE: Do not touch the glass face after cleaning it.

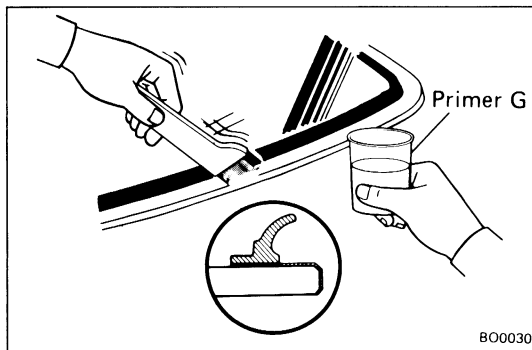


2. COAT CONTACT SURFACE OF BODY WITH PRIMER "M"

Using a brush, coat the contact surface on the body with primer M.

NOTICE:

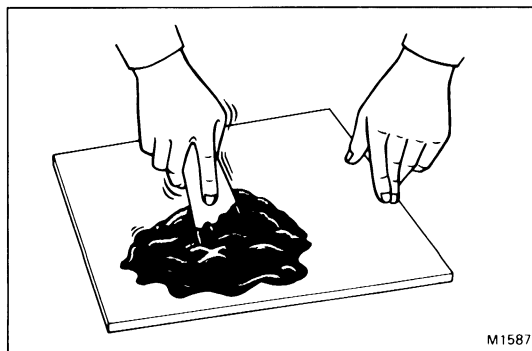
- Let the primer coating dry for 10 minutes or more. Make sure that the installation of the glass is finished within 2 hours.
- Use care not to leave any part of the contact surface uncoated or excessively coated, as Primer "M" and "G" serve to boost the adhesive power of the adhesive to the glass or body.
- Do not keep any of the opened primer M and G for later use.



3. COAT CONTACT SURFACE OF GLASS WITH PRIMER "G"

- (a) Using a brush or sponge, coat the edge of the glass and contact surface with primer G.
- (b) Before the primer dries, wipe any excess off with a clean cloth to avoid too thick a coat.

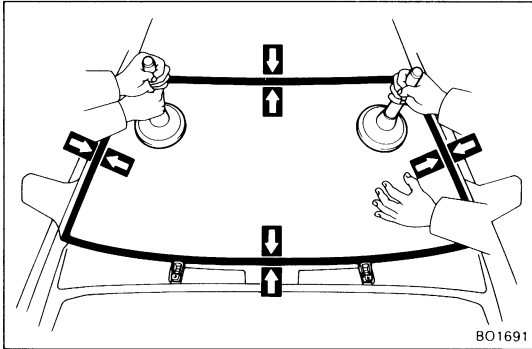
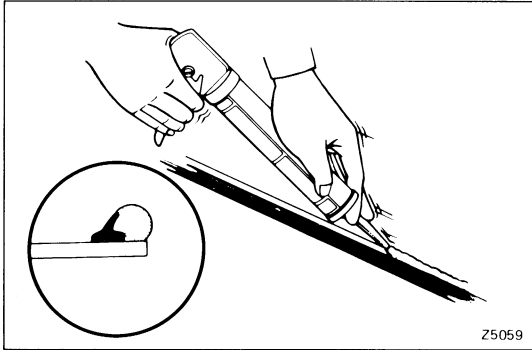
NOTICE: Be sure that installation of the glass is finished within 70 minutes.



4. MIX ADHESIVE COATING

NOTICE:

- Be sure that installation of the glass is finished within usable time. (See step 2 on page BO-31)
 - Mixture should be made in 5 minutes or less.
- (a) Thoroughly clean the glass plate and putty spatula with solvent.
 - (b) Using a putty spatula, thoroughly mix 500 g (17.64 oz.) of the main and 75 g (2.65 oz.) of the hardening agents on a glass plate or such.



5. APPLY ADHESIVE

- (a) Cut off the tip of the cartridge nozzle, making a hole 5 mm (0.20 in.) in diameter. Fill the cartridge with adhesive.
- (b) Load the cartridge into the sealer gun.
- (c) Coat the glass with adhesive on all contact surfaces along the ridge.

Adhesive height:

- | | |
|--|---|
| If there is adhesive on body | 3.5 — 5.0 mm (0.138 — 0.197 in.) |
| If there is no adhesive on body | 8 — 10 mm (0.31 — 0.39 in.) |

6. INSTALL WINDSHIELD GLASS

- (a) Position the glass so that reference marks are lined up, and press in gently along the rim.
- (b) Using a spatula, apply adhesive to the glass rim.
- (c) Use a spatula to remove any excess or protruding adhesive.
- (d) Fasten the glass securely until the adhesive sets.

7. INSPECT FOR LEAKS AND REPAIR

- (a) Perform a leak test after the setting time has elapsed.
- (b) Seal any leaks with auto glass sealer.
Part No. 08833-00030 or equivalent

8. INSTALL WINDSHIELD MOULDING (See page BO-18)

9. INSTALL FOLLOWING PARTS:

- (a) Wiper arms
- (b) Hood
- (c) Roof side rail garnish (w/o sport roof)
- (d) Sun visors and holders
- (e) Inner rear view mirror
- (f) Map light

10. INSTALL FRONT PILLAR GARNISH AND ASSIST GRIP (See step 1 on page BO-32)

11. INSTALL AND ADJUST HOOD (See page BO-3)

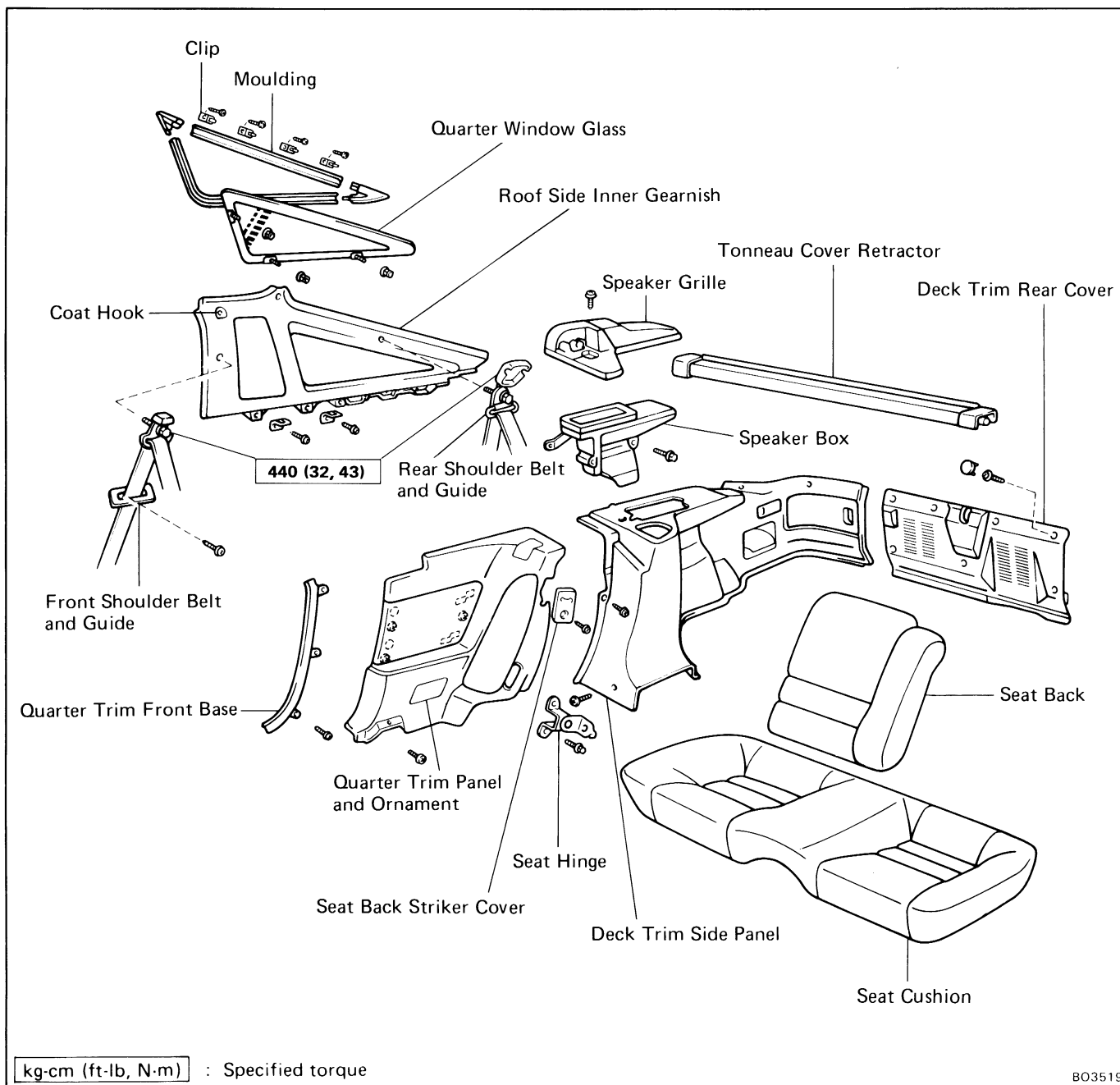
NOTICE: Wait at least twice the setting time before driving the car.

QUARTER WINDOW GLASS

PREPARE ITEMS LISTED

| Part Name and No. | Contents of Set |
|------------------------------|--|
| Butyl tape set (08850-00065) | Butyl tape 9 mm dia. x 2,500 mm (0.35 x 98.43 in.) Primer 5 cc (0.17 fl.oz.) Sponge (for applying primer) Piano wire 1 mm dia. x 600 mm (0.04 x 23.62 in.)(for slicing off glass) |
| Materials required | Cleaner (for cleaning adhering surfaces) |

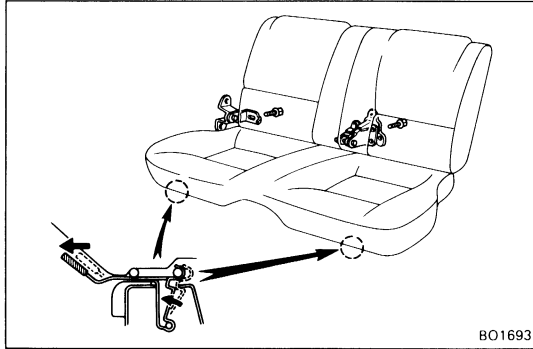
COMPONENTS



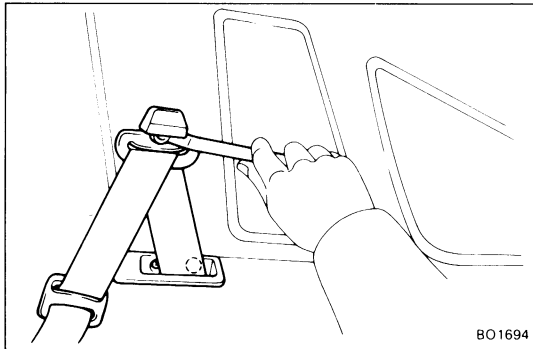
REMOVAL OF QUARTER WINDOW GLASS

1. REMOVE FOLLOWING PARTS:

- (a) Tonneau cover retractor
- (b) Deck trim rear cover

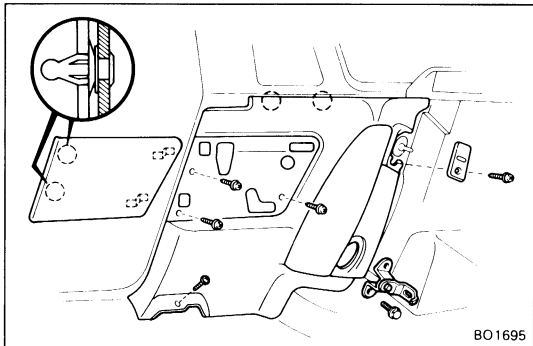


2. REMOVE REAR SEAT CUSHION AND BACK



3. REMOVE FRONT SHOULDER BELT ANCHOR BOLT AND BELT GUIDE

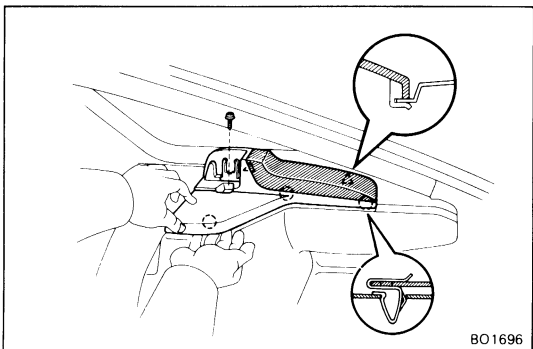
- (a) Remove the front shoulder belt anchor bolt.
- (b) Remove the belt guide set screw and guide.



4. REMOVE QUARTER TRIM PANEL

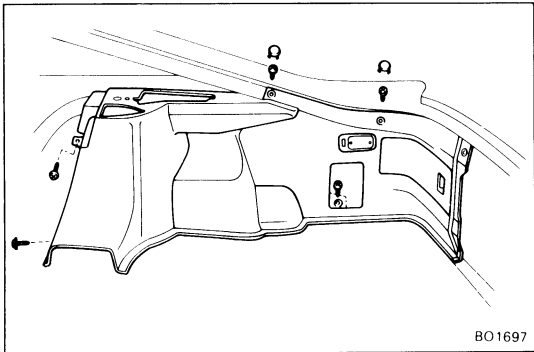
- (a) Remove the screw and the seat back striker cover.
- (b) Using a screwdriver, remove the quarter trim ornament.
- (c) Remove four screws.
- (d) Using the screwdriver, remove the quarter trim.

HINT: Tape the screwdriver tip before use.



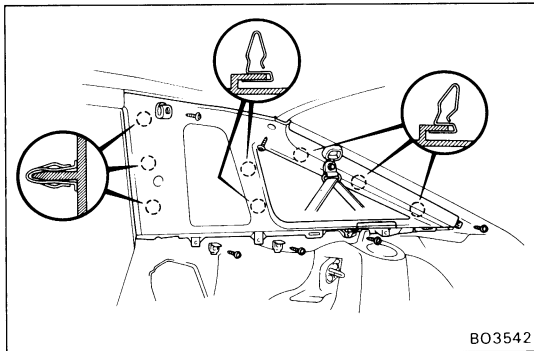
5. REMOVE SPEAKER GRILLE

- (a) Remove the screw.
- (b) Pry the three clips, and remove the speaker grille.



6. REMOVE DECK TRIM SIDE PANEL AND SPEAKER BOX

- (a) Remove five screws and the deck side trim.
- (b) Remove three screws and the speaker box.

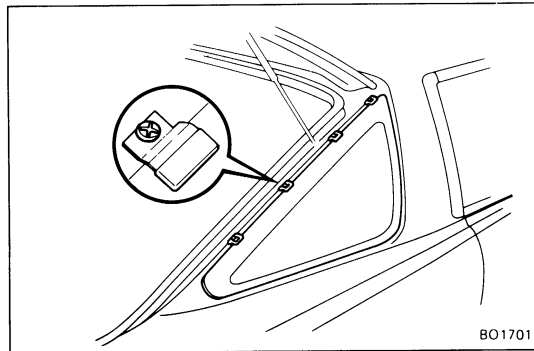


7. REMOVE REAR SHOULDER BELT ANCHOR BOLT AND BELT GUIDE

8. REMOVE ROOF SIDE INNER GARNISH

- (a) Remove the screw and the hook.
- (b) Remove four screws.
- (c) Using a screwdriver, pry the clips and remove the roof side inner garnish.

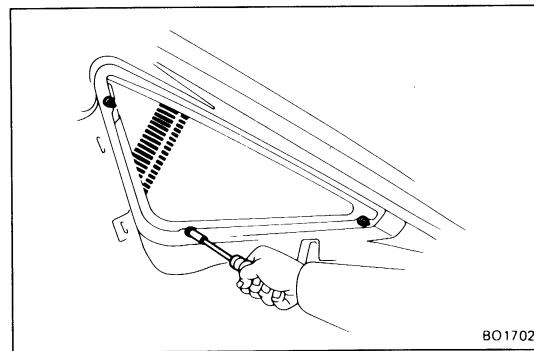
HINT: Tape the screwdriver tip before use.



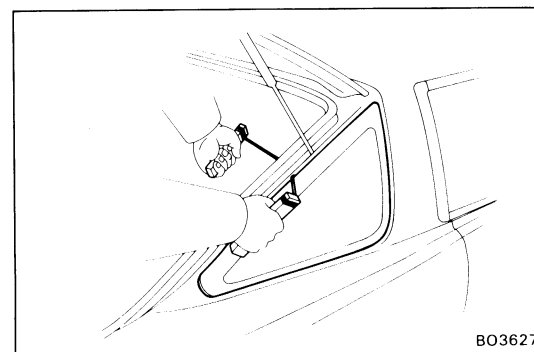
9. REMOVE QUARTER WINDOW GLASS MOULDING (See page BO-27)

10. REMOVE QUARTER WINDOW GLASS

- (a) Remove the four upper retainers.

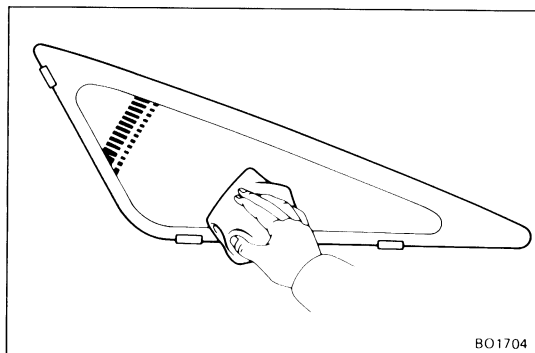


- (b) Remove the retainer nuts.



- (c) Using piano wire, cut loose the adhesive.
- (d) Remove the glass.

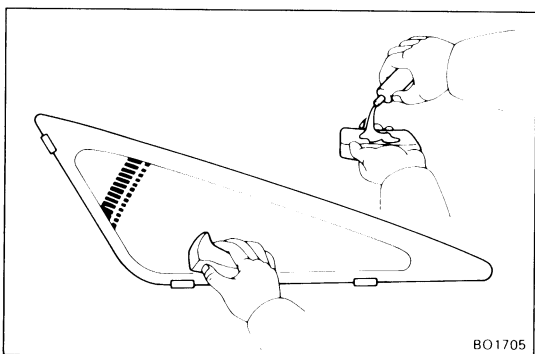
NOTICE: Do not damage the clips and the body.



INSTALLATION OF QUARTER WINDOW GLASS

1. CLEAN BODY OR GLASS

Wipe off any adhesive left on the body or glass with cleaner.

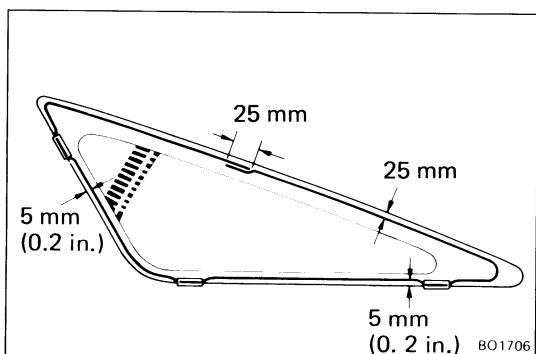


2. INSTALL QUARTER WINDOW GLASS

(a) Using a sponge, apply the primer around the entire ceramic application area.

HINT: Apply primer evenly and to the ceramic application area only.

(b) Let the primer coating dry for 10 minutes.



(c) Install the seal to the glass.

HINT: Overlap the seal approx. 25 mm (0.98 in.) at the bottom of the glass.

(d) Install the lower outside moulding to the glass.

(e) Install the four upper retainer.

(f) Install the window glass to the body.

(g) Install the retainer nuts.

3. INSTALL QUARTER WINDOW GLASS MOULDING (See page BO-27)

4. INSTALL ROOF SIDE INNER GARNISH (See page BO-39)

5. INSTALL REAR SHOULDER BELT ANCHOR BOLT AND BELT GUIDE

6. INSTALL SPEAKER BOX AND DECK TRIM SIDE PANEL (See page BO-39)

7. INSTALL SPEAKER GRILLE (See page BO-38)

8. INSTALL QUARTER TRIM PANEL AND SEAT BACK HINGE (See page BO-38)

9. INSTALL FRONT SHOULDER BELT ANCHOR BOLT AND BELT GUIDE (See page BO-38)

Torque: 440 kg-cm (32 ft-lb, 43 N·m)

10. INSTALL REAR SEAT BACK AND CUSHION (See page BO-38)

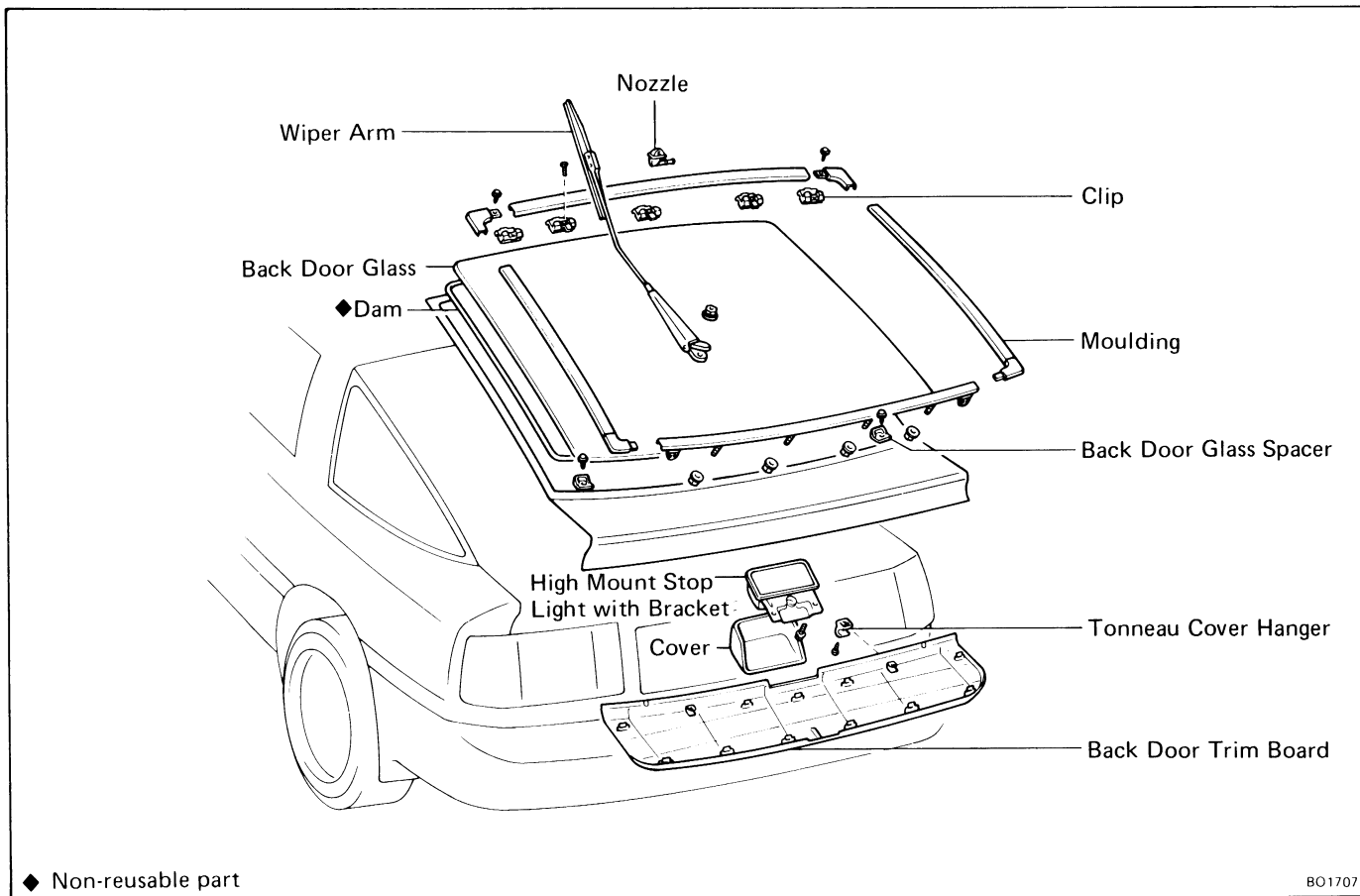
11. INSTALL DECK TRIM REAR COVER AND TONNEAU COVER RETRACTOR

BACK DOOR GLASS

PREPARE ITEMS LISTED

(See page BO-31)

COMPONENTS

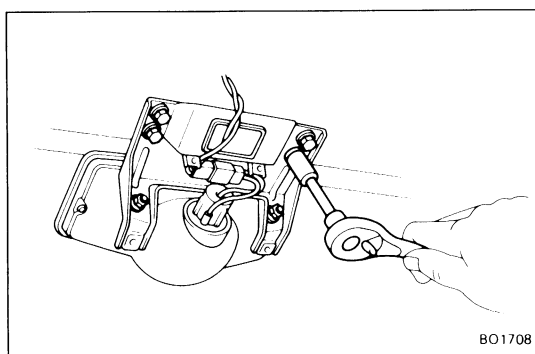


REMOVAL OF BACK DOOR GLASS

1. REMOVE HIGH MOUNT STOP LIGHT COVER
(See step 2 on page BO-28)
2. REMOVE BACK DOOR TRIM BOARD
(See step 3 on page BO-28)

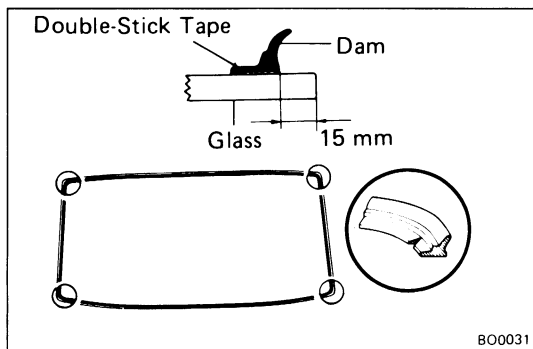
3. REMOVE HIGH MOUNT STOP LIGHT

- (a) Remove the set bolts.
- (b) Remove the wire connector from the high mount stop light bracket.



4. DISCONNECT DEFOGGER WIRE CONNECTORS
5. REMOVE REAR WIPER ARM
6. REMOVE BACK DOOR MOULDING AND CLIPS
(See pages BO-28, 29)
7. REMOVE BACK DOOR GLASS

HINT: Remove the glass in the same manner as the windshield. (See step 5 on page BO-32)



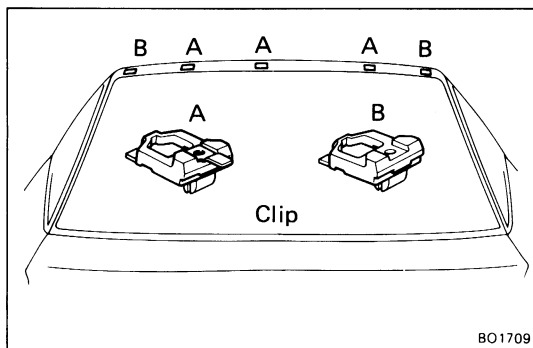
INSTALLATION OF BACK DOOR GLASS

1. CLEAN BODY AND GLASS
(See page BO-34)
2. INSTALL BACK DOOR GLASS
 - (a) Install the dam;

Apply double-stick tape at a point 15 mm (0.59 in.) from the glass rim.
 - (b) Place the dam on the double-stick tape.

HINT: Cut a V-wedge into the corner folds of the dam.

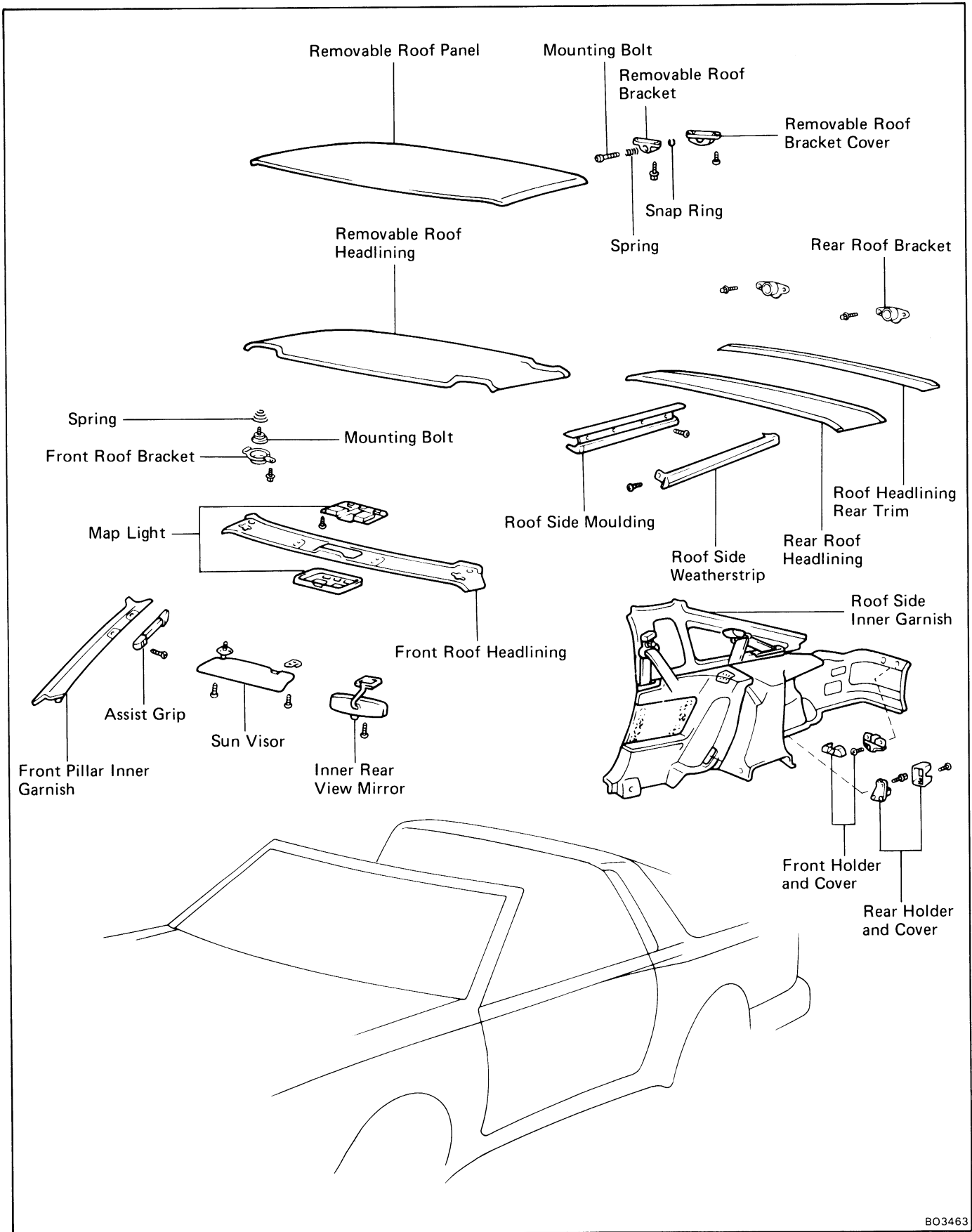
NOTICE: Do not touch the glass after cleaning it.
 - (c) Install the two back door glass spacers.
 - (d) Install the glass in the same manner as the windshield.
(See page BO-35)

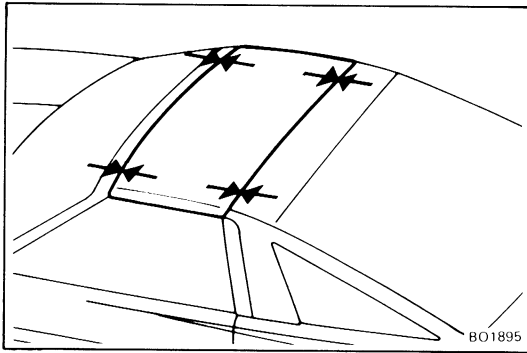


3. INSTALL UPPER MOULDING CLIPS

4. INSTALL BACK DOOR MOULDING
(See page BO-30)
5. INSTALL REAR WIPER ARM
6. CONNECT DEFOGGER WIRE CONNECTORS
7. INSTALL HIGH MOUNT STOP LIGHT
8. INSTALL BACK DOOR TRIM BOARD
9. INSTALL HIGH MOUNT STOP LIGHT COVER

SPORT ROOF COMPONENTS





ON-VEHICLE INSPECTION

INSPECT REMOVAL ROOF PANEL ALIGNMENT

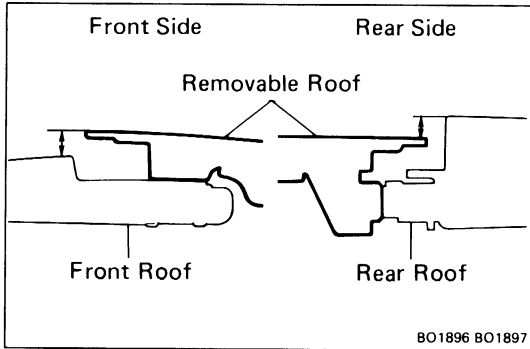
- With the removable roof installed, check for water leakage.
- Check for a difference in clearance and level between the removable roof panel and roof panel.

Clearance:

Front side 6.0 ± 2 mm (0.236 ± 0.08 in.)
 Rear side 6.5 ± 0.2 mm (0.256 ± 0.008 in.)
 Left and right side Less than 2 mm (0.08 in.)

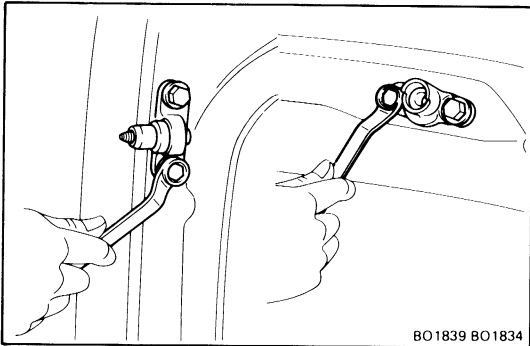
Level:

Front side $0^{+1.5}_{-2.0}$ mm ($0^{+0.059}_{-0.079}$ in.)
 Rear side 0 ± 1.5 mm (0 ± 0.059 in.)



ADJUSTMENT OF REMOVABLE ROOF

- REMOVE REMOVABLE ROOF HEADLINING
(See page BO-47)
- REMOVE REAR ROOF HEADLINING
(See page BO-46)



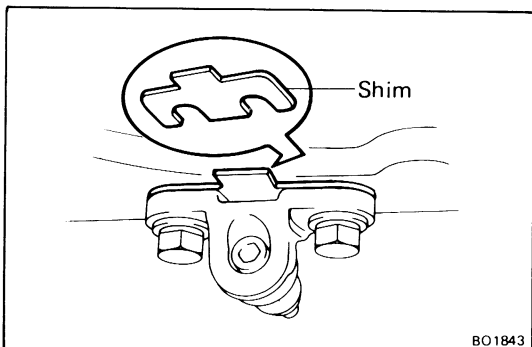
3. ADJUST CLEARANCE

Adjust by loosening the removable roof bracket bolts and rear bracket bolts, and move the removable roof to the forward and rearward.

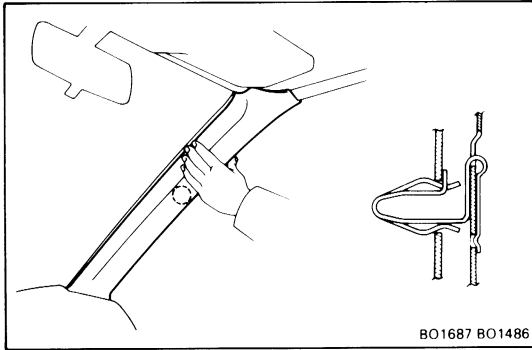
4. ADJUST LEVEL

Select the shim that makes the level difference between the rear side of removable roof panel and rear roof panel minimum.

| Thickness | mm (in.) |
|-----------|----------|
| 1.0 | (0.039) |
| 2.0 | (0.079) |



- INSTALL REAR ROOF HEADLINING
(See page BO-47)
- INSTALL REMOVABLE ROOF HEADLINING
(See page BO-48)



Front Roof Bracket

REMOVAL OF FRONT ROOF BRACKET

(See page BO-43)

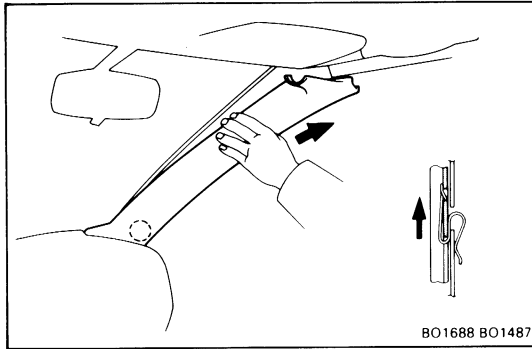
1. REMOVE FRONT PILLAR INNER GARNISH

- (a) Remove the assist grips.
- (b) Pry out the two clips by your hand.

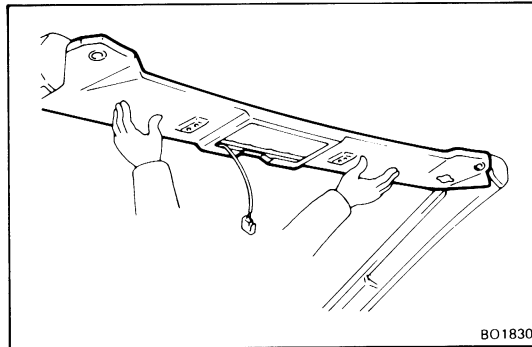
- (c) Pull the garnish upward to remove it.

2. REMOVE FOLLOWING PARTS:

- (a) Map light
- (b) Inner rear view mirror
- (c) Sun visors and holders

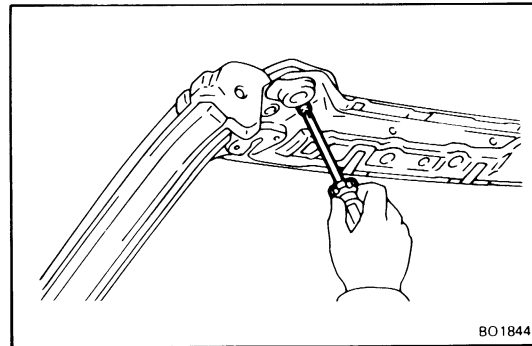


3. REMOVE FRONT ROOF HEADLINING



4. REMOVE FRONT ROOF BRACKET

Remove the front roof bracket with the mounting bolt and spring.



INSTALLATION OF FRONT ROOF BRACKET

(See page BO-43)

1. INSTALL FRONT BRACKET

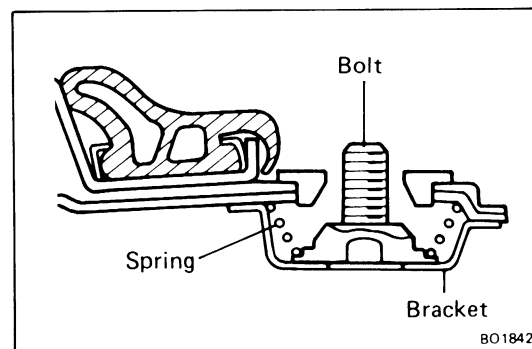
Install the spring, mounting bolt and bracket as shown.

2. INSTALL FRONT ROOF HEADLINING

3. INSTALL FOLLOWING PARTS:

- (a) Sun visors and holders
- (b) Inner rear view mirror
- (c) Map light

4. INSTALL FRONT PILLAR INNER GARNISH



Rear Roof Bracket

REMOVAL OF REAR ROOF BRACKET

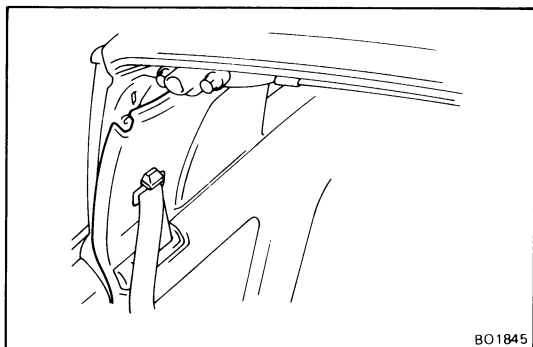
(See page BO-43)

1. REMOVE REMOVABLE ROOF

HINT: Before removal, measure and memorize the clearance and level.

2. REMOVE ROOF HEADLINING REAR TRIM

Remove the two screws and rear trim.

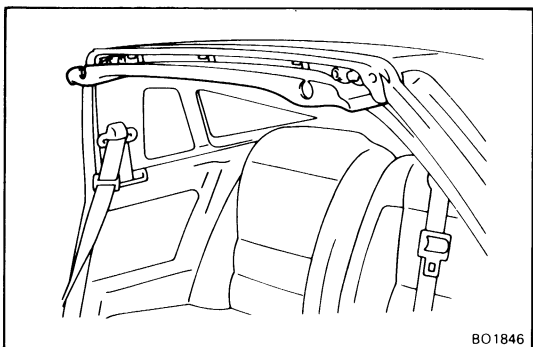


BO1845

3. DISCONNECT ROOF SIDE INNER GARNISH

Disconnect the upper side of inner garnish to make the clearance between the inner garnish and roof headlining.

HINT: Do not damage, the inner garnish.

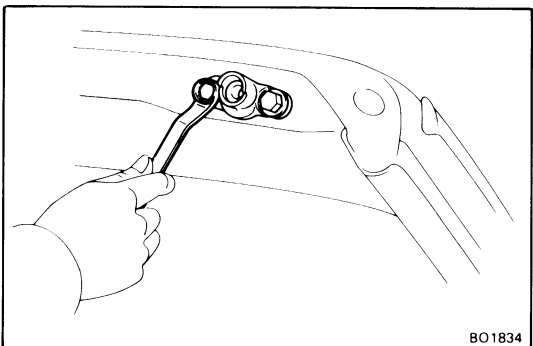


BO1846

4. REMOVE REAR ROOF HEADLINING

Slide the rear roof headlining forward.

HINT: Do not damage the roof headlining.



BO1834

5. REMOVE REAR ROOF BRACKET

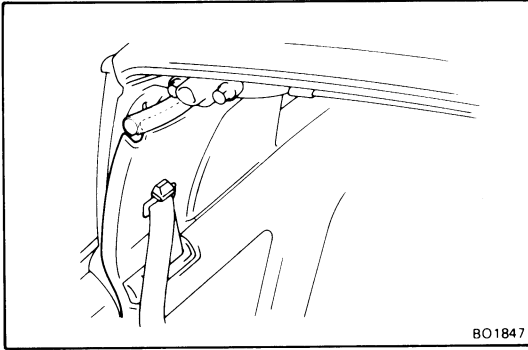
INSTALLATION OF REAR ROOF BRACKET

(See page BO-43)

1. ADJUST REMOVABLE ROOF

(See page BO-44)

2. INSTALL REAR ROOF BRACKET



BO1847

3. INSTALL REAR ROOF HEADLINING

To prevent rear roof headlining damage, cover the upper side inner garnish with a piece of vinyl hose or such.

HINT: Do not damage the rear roof headlining.

4. CONNECT ROOF SIDE INNER GARNISH

5. INSTALL ROOF HEADLINING REAR TRIM

6. INSTALL REMOVABLE ROOF

Removable Roof

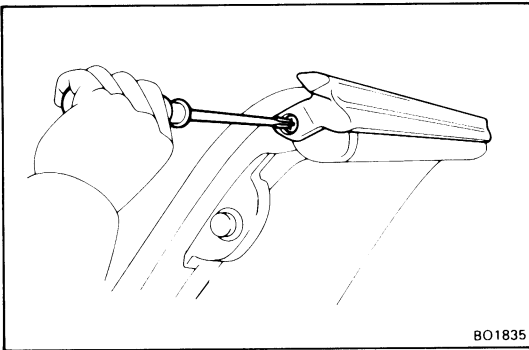
REMOVE REMOVABLE ROOF

(See page BO-43)

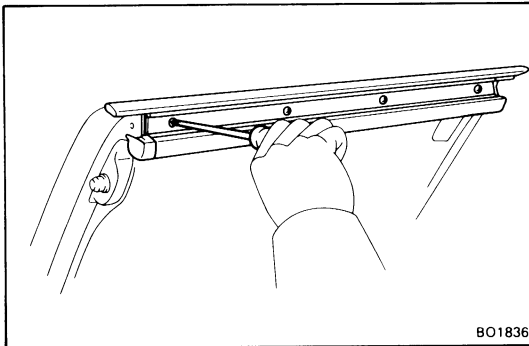
1. REMOVE REMOVABLE ROOF SIDE MOULDING

(a) Using a screwdriver, remove the screw and weather-strip.

(b) Remove the roof side moulding and four screws.



BO1835

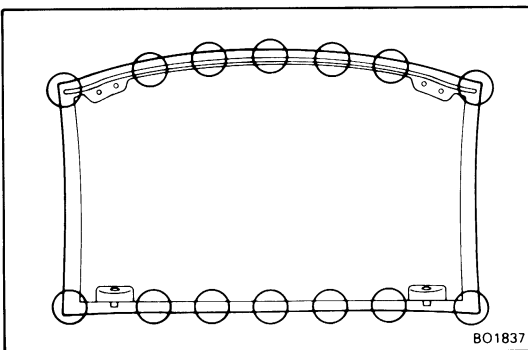


BO1836

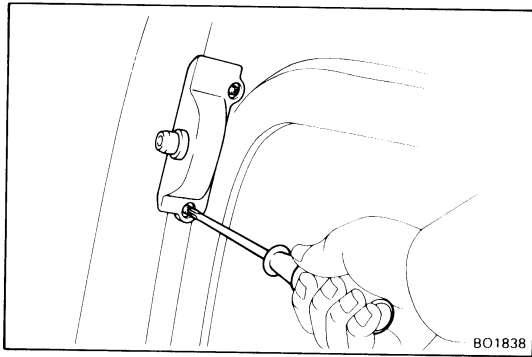
2. REMOVE REMOVABLE ROOF HEADLINING

Remove the roof headlining ornament.

HINT: Tape the screwdriver tip before using.

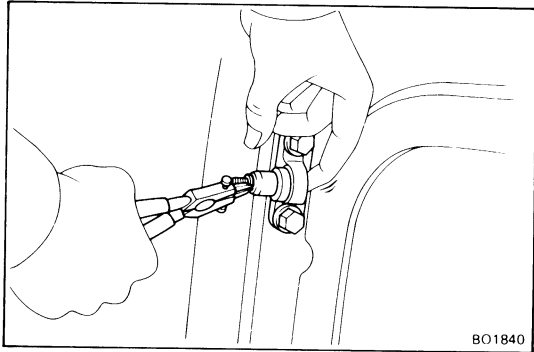


BO1837



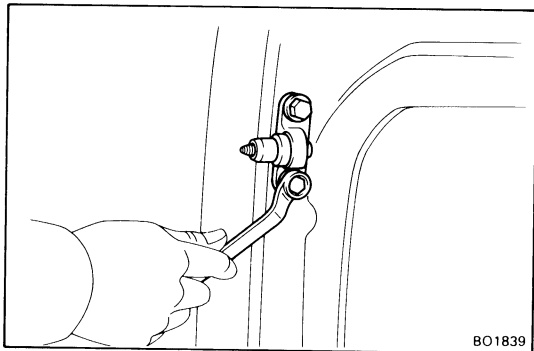
3. REMOVE REMOVABLE ROOF BRACKET

- (a) Remove two screws and the roof bracket cover.

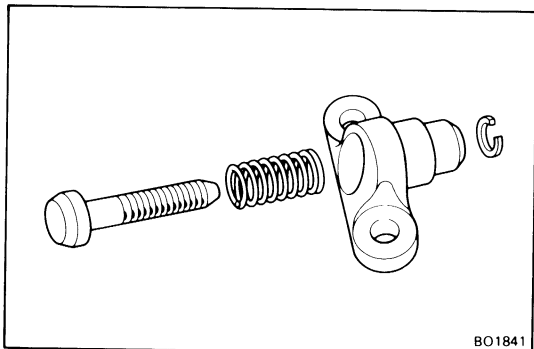


- (b) Using snap ring pliers, remove the snap ring while pushing the mounting bolt.

- (c) Remove the mounting bolt and spring.



- (d) Remove two bolts, the shim and the roof bracket.



INSTALLATION OF REMOVABLE ROOF

(See page BO-43)

1. INSTALL REMOVABLE ROOF BRACKET

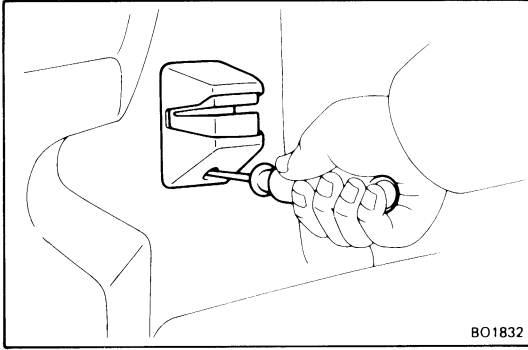
- (a) Install the spring and mounting bolt.
 (b) Using snap ring pliers, install the snap ring.

2. ADJUST REMOVABLE ROOF

(See page BO-44)

3. INSTALL REMOVABLE ROOF HEADLINING

4. INSTALL REMOVABLE ROOF SIDE MOULDING



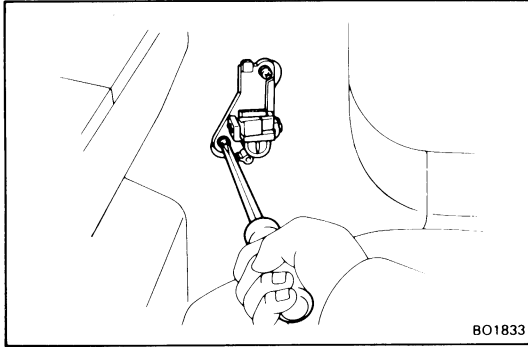
Front Holder and Rear Holder

REMOVAL OF FRONT HOLDER AND REAR HOLDER

1. REMOVE FRONT HOLDER FROM DECK TRIM SIDE PANEL

(a) Remove the two screws and front holder cover.

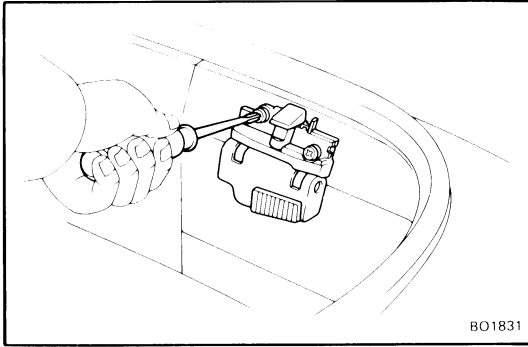
(b) Remove two screws and the front holder.



2. REMOVE REAR HOLDER AND DECK TRIM REAR COVER

(a) Remove the holder cover.

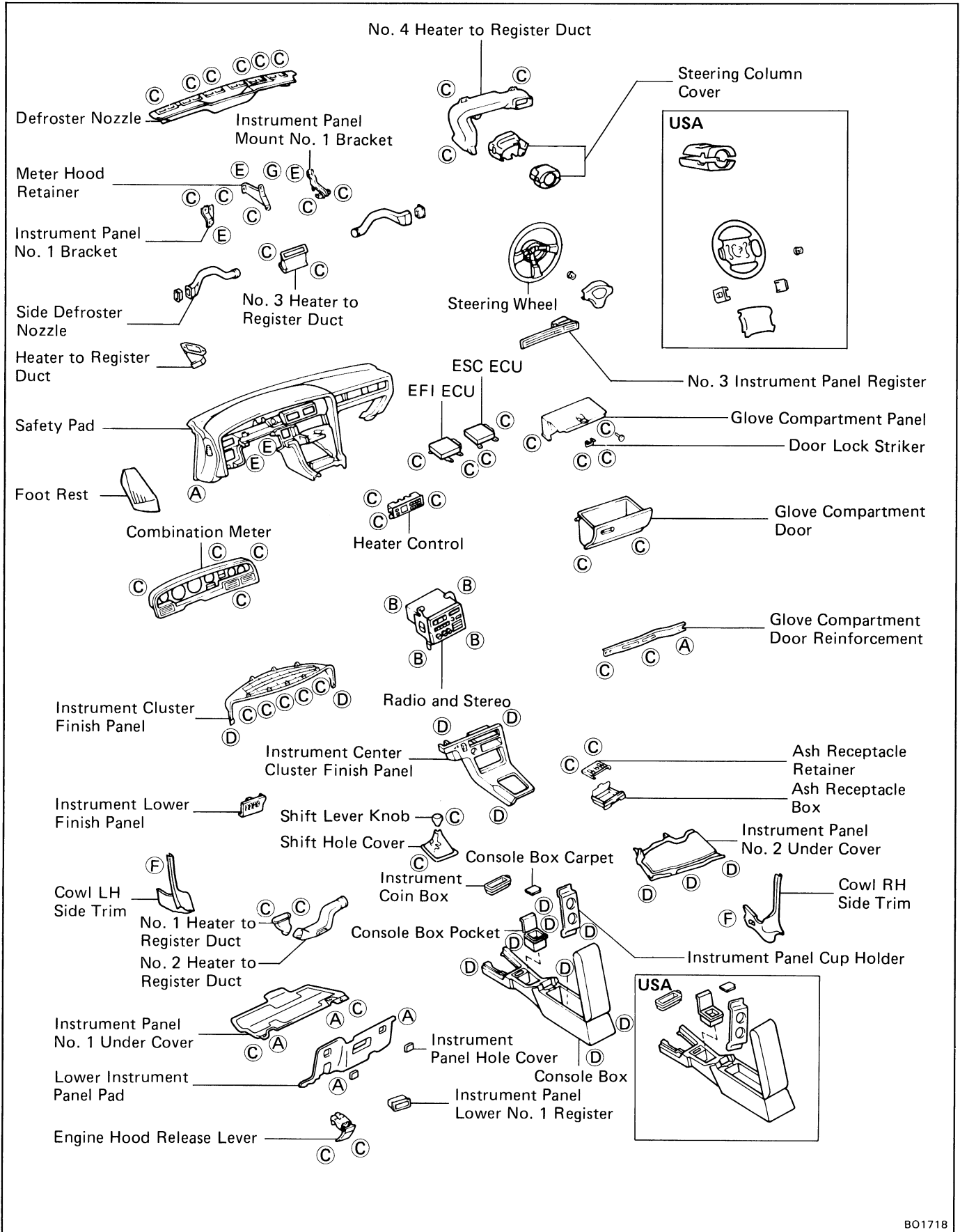
(b) Remove the holder and two screws.



INSTALLATION OF FRONT HOLDER AND REAR HOLDER

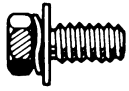





INSTALL FRONT HOLDER AND REAR HOLDER IN REVERSE SEQUENCE OF REMOVAL

SAFETY PAD COMPONENTS



HINT: Screw sizes in the previous illustration are indicated by following the code below for removal and installation of safety pad.

mm (in.)

| Code | Shape | Size | Code | Shape | Size | Code | Shape | Size |
|------|---|------------------------------------|------|---|---|------|---|-------------------|
| A |  | $\phi = 6 (0.24)$ L = 20 (0.79) | C |  | $\phi = 5.22 (0.2055)$ L = 16 (0.63) | E |  | $\phi = 6 (0.24)$ |
| B |  | $\phi = 5 (0.20)$ L = 18 (0.71) | D | | $\phi = 5.22 (0.2055)$ L = 20 (0.79) | F |  | $\phi = 6 (0.24)$ |
| G |  | $\phi = 6 (0.24)$ | | | | | | |

BO3544

REMOVAL OF SAFETY PAD

(See page BO-50)

1. TILT DOWN AND PUT OUT STEERING WHEEL
2. DISCONNECT BATTERY CABLE FROM NEGATIVE TERMINAL

CAUTION: Work must be started after approx. 20 seconds or longer from the time the ignition switch is turned to the "LOCK" position and the negative (—) terminal cable is disconnected from the battery.

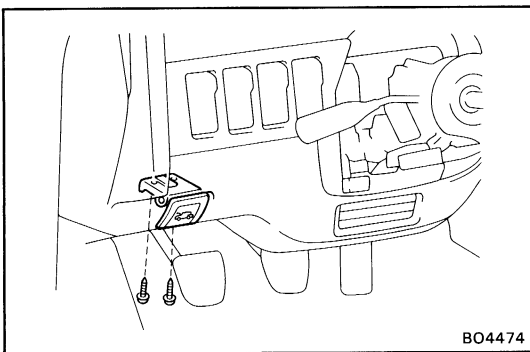
3. REMOVE STEERING WHEEL
USA (See step 1 to 2 on page SR-5)
CANADA (See step 1 to 2 on page SR-6)

NOTICE: The steering wheel pad should be placed with the pad top surface facing up.

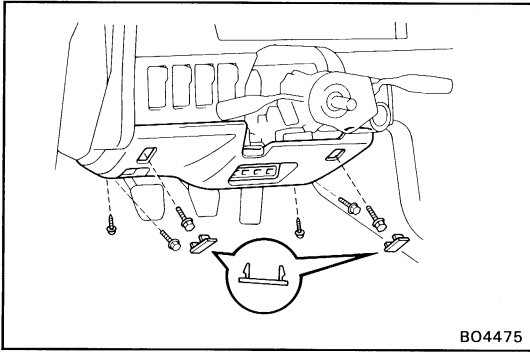
4. REMOVE STEERING COLUMN COVER

5. REMOVE INSTRUMENT PANEL NO.1 UNDER COVER AND LOWER INSTRUMENT PANEL PAD

(a) Remove two screws and engine hood release lever.



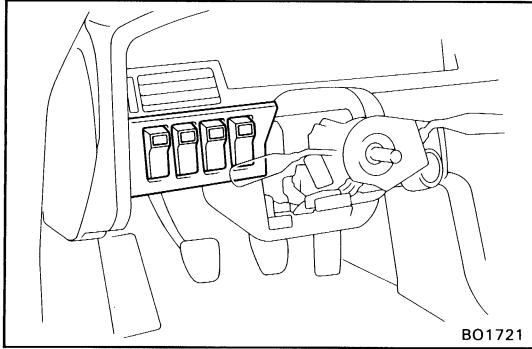
BO4474



- (b) Using a screwdriver, remove instrument panel hole cover.

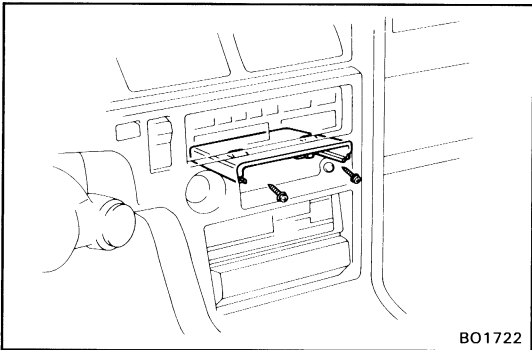
HINT: Tape the screwdriver tip before use.

- (c) Remove four bolts and two screws.
 (d) Remove lower instrument panel No.1 under cover and lower instrument panel pad.



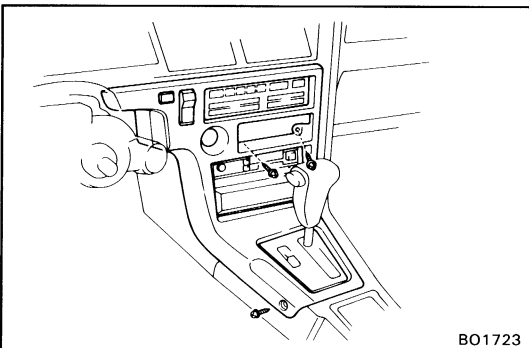
6. REMOVE INSTRUMENT LOWER FINISH PANEL

- (a) Pull out the lower finish panel.
 (b) Disconnect the connectors from the switches.

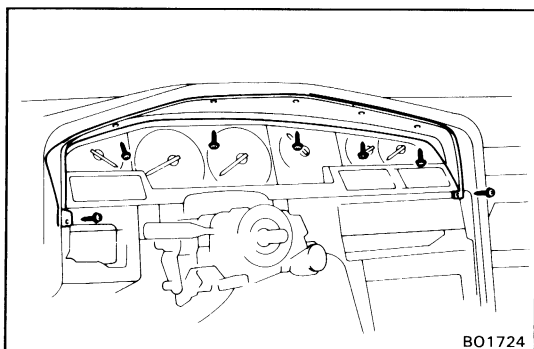


7. REMOVE INSTRUMENT CENTER CLUSTER FINISH PANEL

- (a) Remove the ash tray.
 (b) Remove the two screws and ash retainer from the panel.
 (c) Remove the shift lever knob.(M/T only)

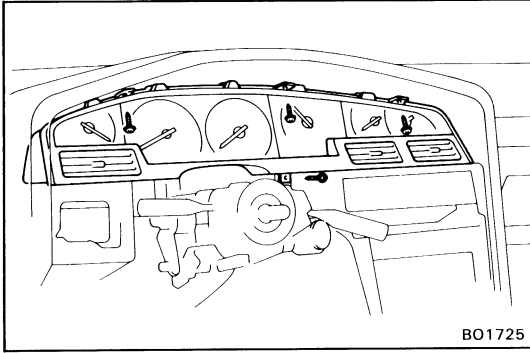


- (d) Remove the three screws.
 (e) Disconnect the connectors and remove the panel.

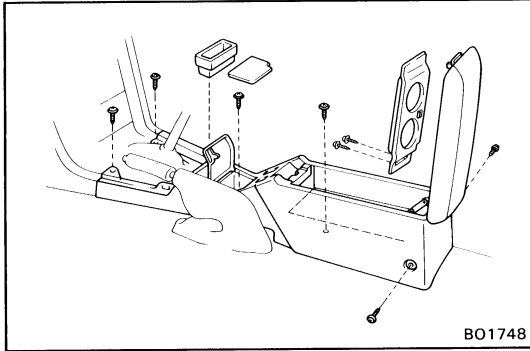


8. REMOVE INSTRUMENT CLUSTER FINISH PANEL

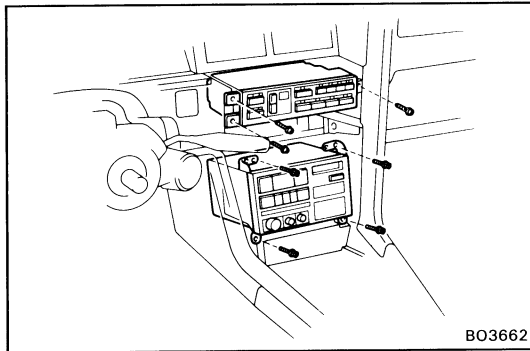
Remove the seven screws and panel.

**9. REMOVE COMBINATION METER**

- (a) Remove the four screws.
- (b) Disconnect the connectors and remove the meter.

**10. REMOVE CONSOLE BOX**

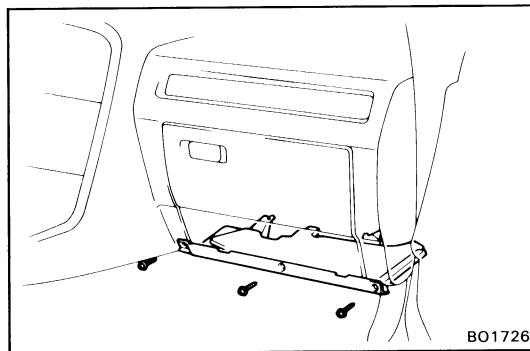
- (a) Remove the console box carpet and the coin box.
- (b) Remove the eight screws and the cup holder.
- (c) Disconnect the connectors and remove the console box.

**11. REMOVE HEATER CONTROL**

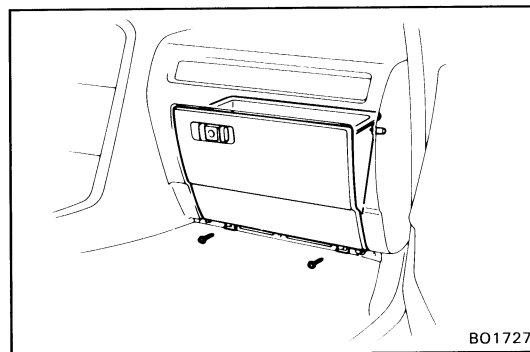
- (a) Remove the three screws.
- (b) Disconnect the connectors and remove the heater control.

12. REMOVE RADIO AND STEREO

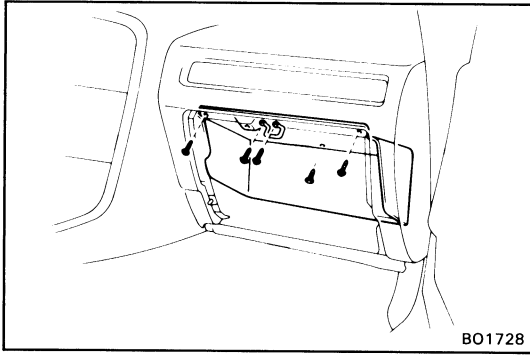
- (a) Remove the four screws.
- (b) Disconnect the connectors and radio antenna cable.
- (c) Remove the radio and stereo.

**13. REMOVE INSTRUMENT PANEL NO.2 UNDER COVER**

Remove the three screws and cover.

**14. REMOVE GLOVE COMPARTMENT DOOR**

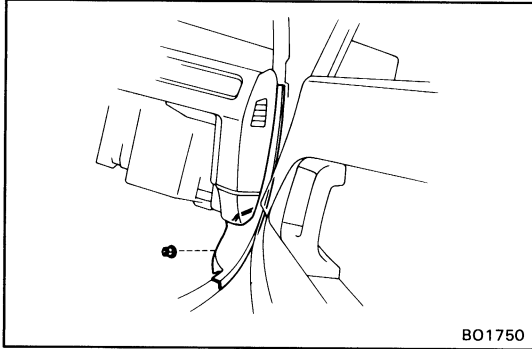
Remove the two screws and door.



BO1728

15. REMOVE GLOVE COMPARTMENT PANEL

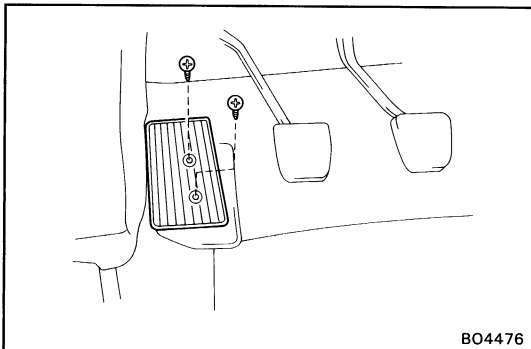
- (a) Remove the two screws and door lock striker.
- (b) Remove the two screws and a clip.
- (c) Remove the light from the panel and remove the panel.



BO1750

16. REMOVE COWL RH SIDE TRIM

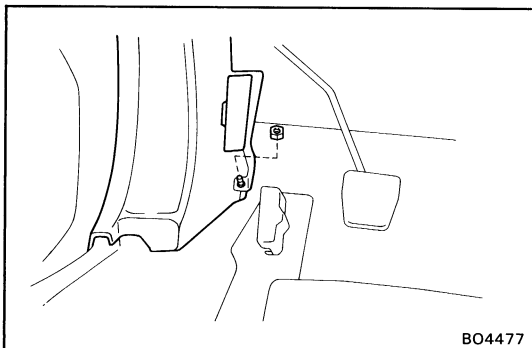
Remove the nut and trim.



BO4476

17. REMOVE FOOT REST

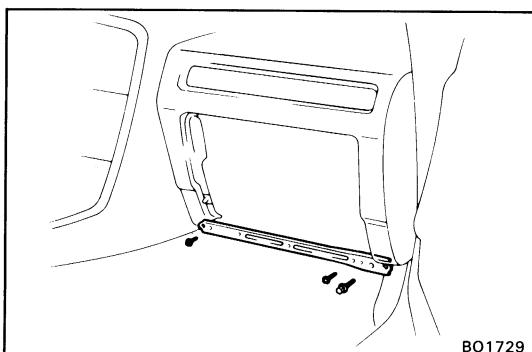
Remove two screws and the rest.



BO4477

18. REMOVE COWL LH SIDE TRIM

Remove the nut and the side trim.

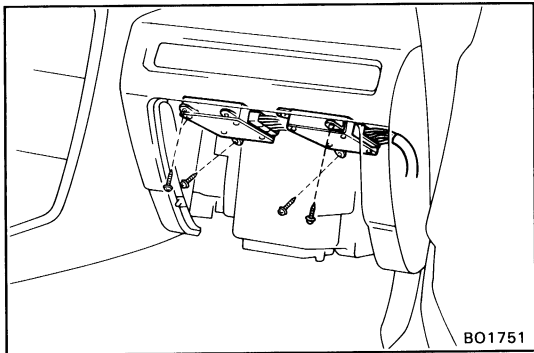


BO1729

19. REMOVE GLOVE COMPARTMENT DOOR REINFORCEMENT

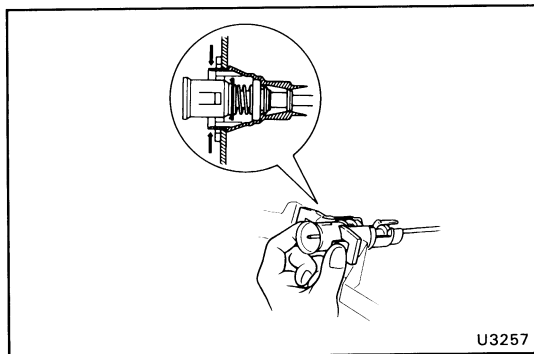
Remove the two screws, bolt and reinforcement.

20. REMOVE GLOVE COMPARTMENT DOOR COURTESY SWITCH



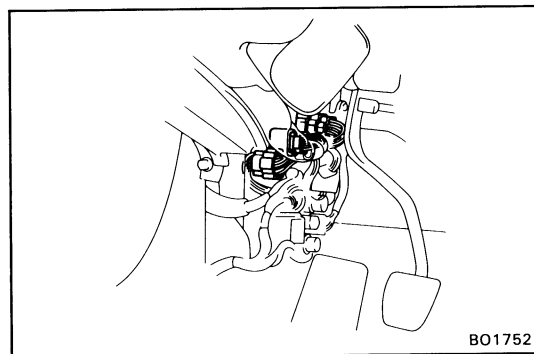
21. REMOVE EFI ECU AND ESC ECU

- (a) Remove two screws and remove EFI ECU.
- (b) Disconnect the connectors.
- (c) Remove two screws and remove ESC ECU.
- (d) Disconnect the connectors.

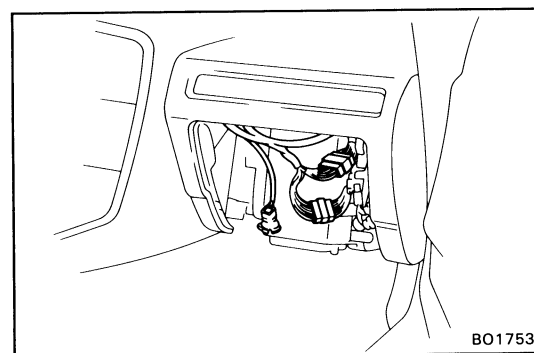


22. REMOVE SAFETY PAD

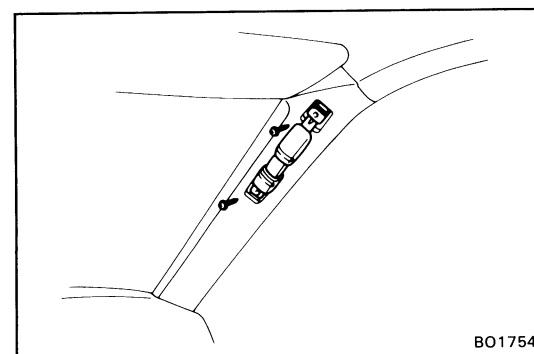
- (a) Push on the pawls of the meter bracket and pull it from the safety pad.



- (b) Disconnect the driver side wire harness connectors.

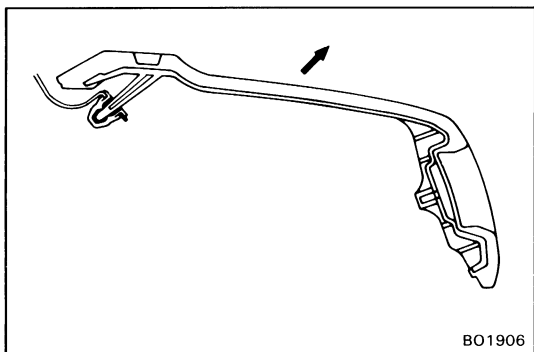
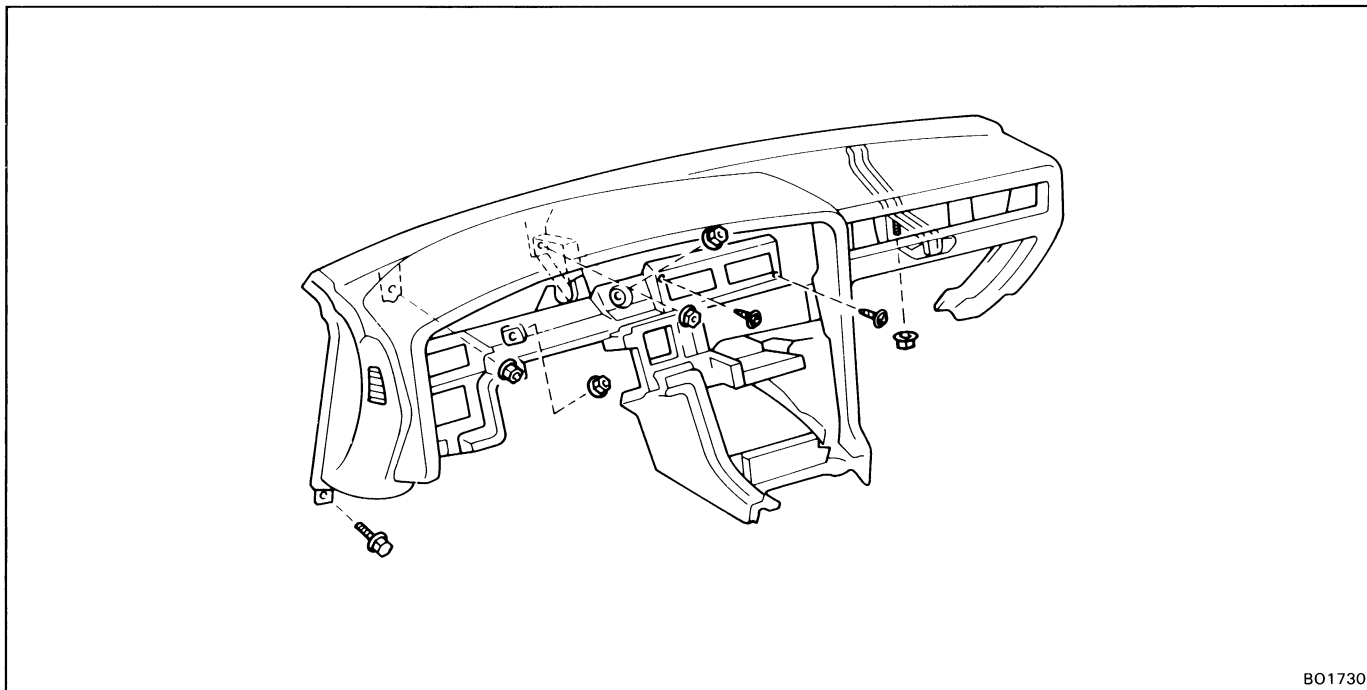


- (c) Disconnect the passenger side wire harness connectors.
- (d) Disconnect the console box side wire harness from the body.

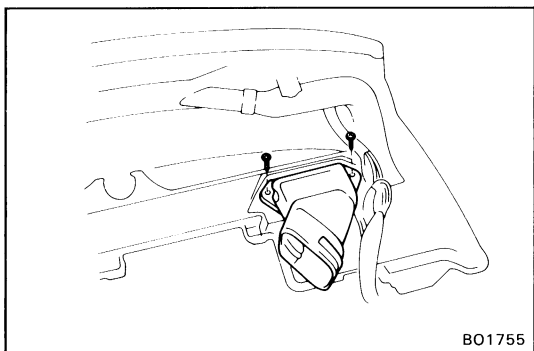


- (e) Remove the two screws and assist grip.
- (f) Remove the front pillar garnish.

(g) Remove the five nuts, two screws and bolt.



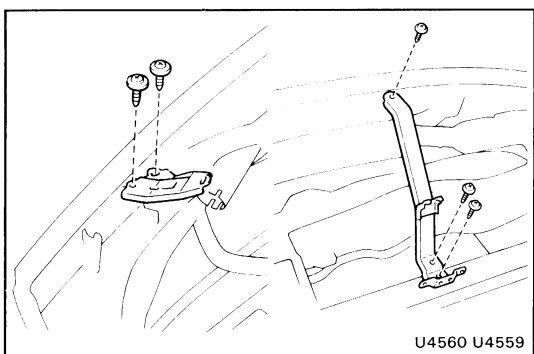
(h) The safety pad has a boss on the reverse side for clamping onto the clip on the body side. Therefore, when removing, pull upward at an angle.



23. REMOVE NO.1 HEATER TO REGISTER DUCT

Remove the two screws and duct.

24. REMOVE SIDE DEFROSTER NOZZLE AND DUCT

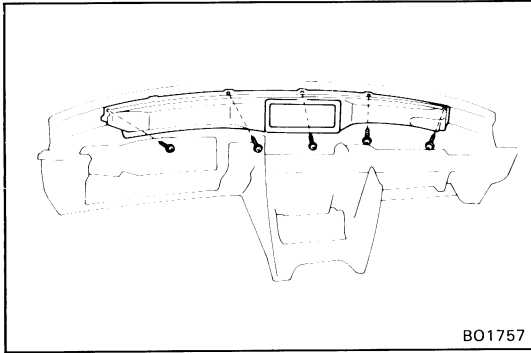


25. REMOVE INSTRUMENT PANEL MOUNT NO.1 BRACKET

Remove the three screws and bracket.

26. REMOVE INSTRUMENT PANEL NO.1 BRACKET

Remove the two screws and bracket.

**27. REMOVE DEFROSTER NOZZLE**

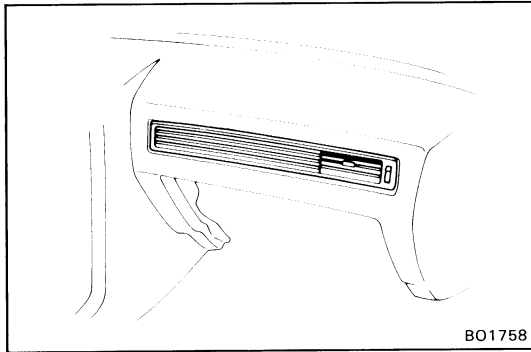
Remove the five screws and nozzle.

28. REMOVE NO.4 HEATER TO REGISTER DUCT

Remove the three screws and duct.

29. REMOVE WIRE HARNESS AND JUNCTION BLOCK

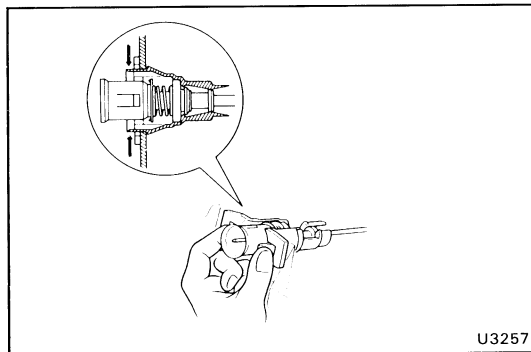
Remove the nine screws and wire harness with junction block.

**30. REMOVE NO.3 INSTRUMENT PANEL REGISTER****INSTALLATION OF SAFETY PAD**

(See page BO-50)

INSTALL SAFETY PAD PARTS FOLLOWING REMOVAL SEQUENCE IN REVERSE

HINT: When reinstall the speedometer cable, first pull on the cable guide casing.

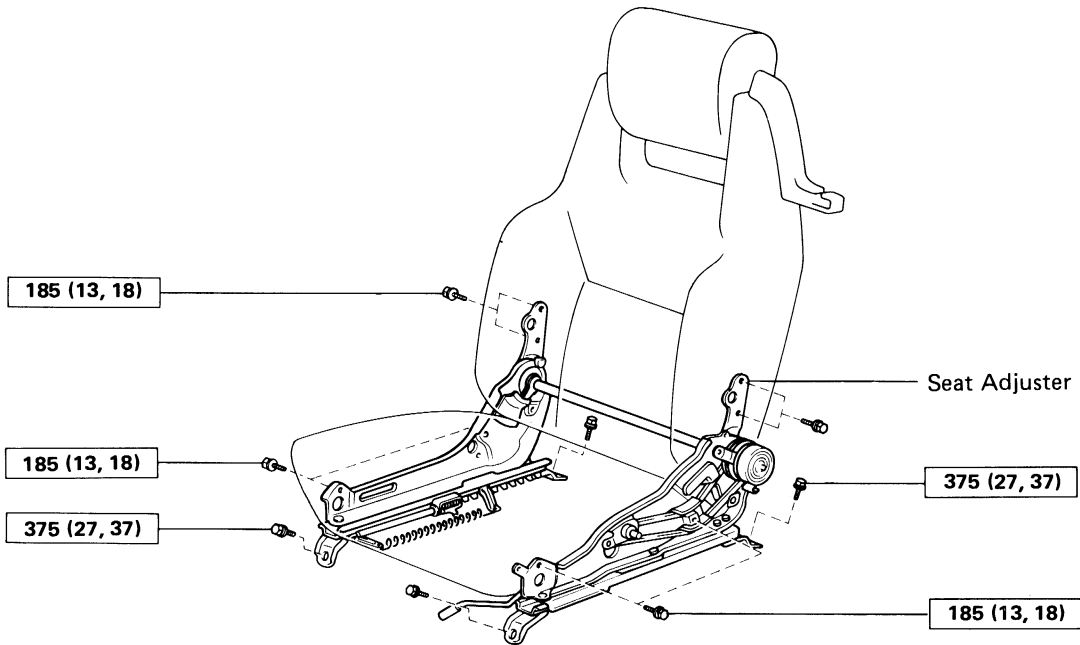


SEAT

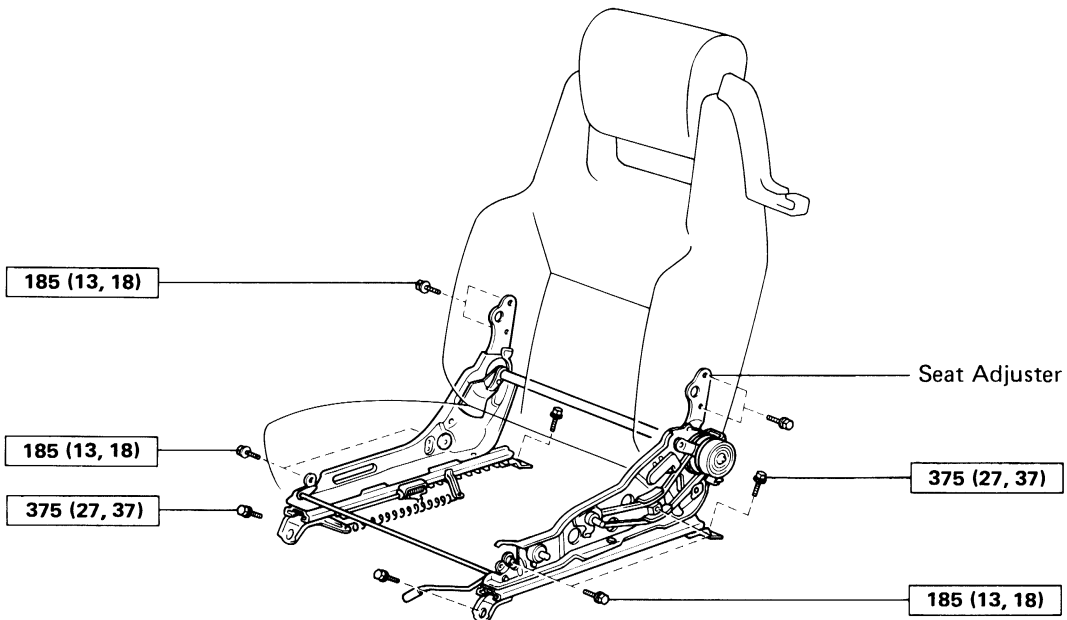
Front Seat

COMPONENTS

w/o Seat Vertical Adjuster



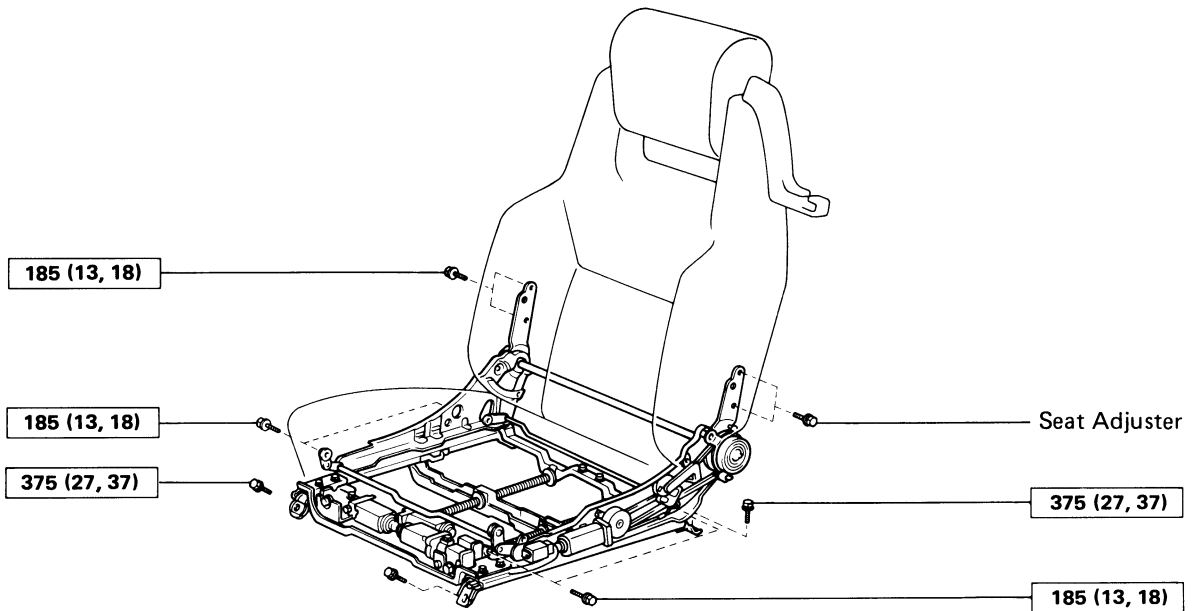
w/ Seat Vertical Adjuster



kg-cm (ft-lb, N-m) : Specified torque

COMPONENTS (Cont'd)

w/ Power Seat

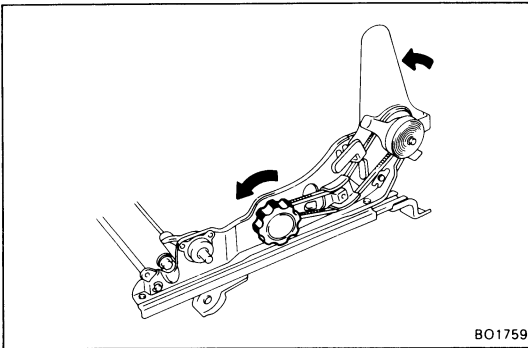


BO1772

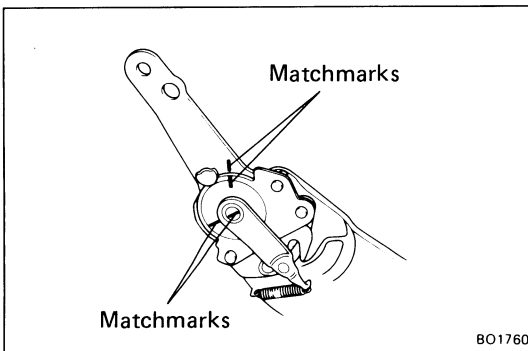
ASSEMBLY OF FRONT SEAT

PRECAUTION: Pay attention items below when assembling the front seat.

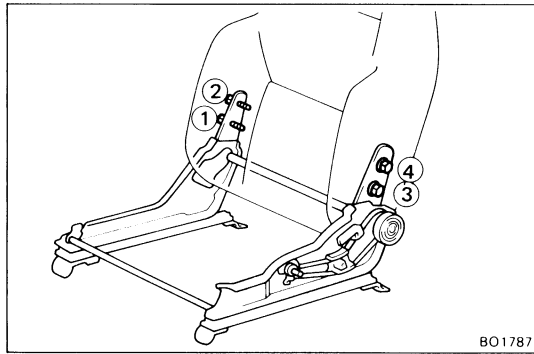
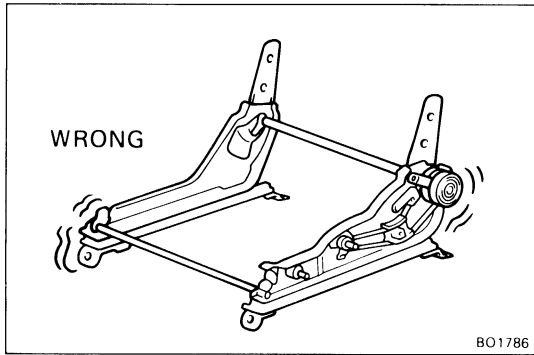
- (a) To prevent warpage of the seat adjuster, carry out this operation on a level surface.
- (b) Move the upper arm to the forward most position by turning the adjuster knob fully.
- (c) Align the matchmarks of the seat adjuster inner by turning the hinge pin.



BO1759

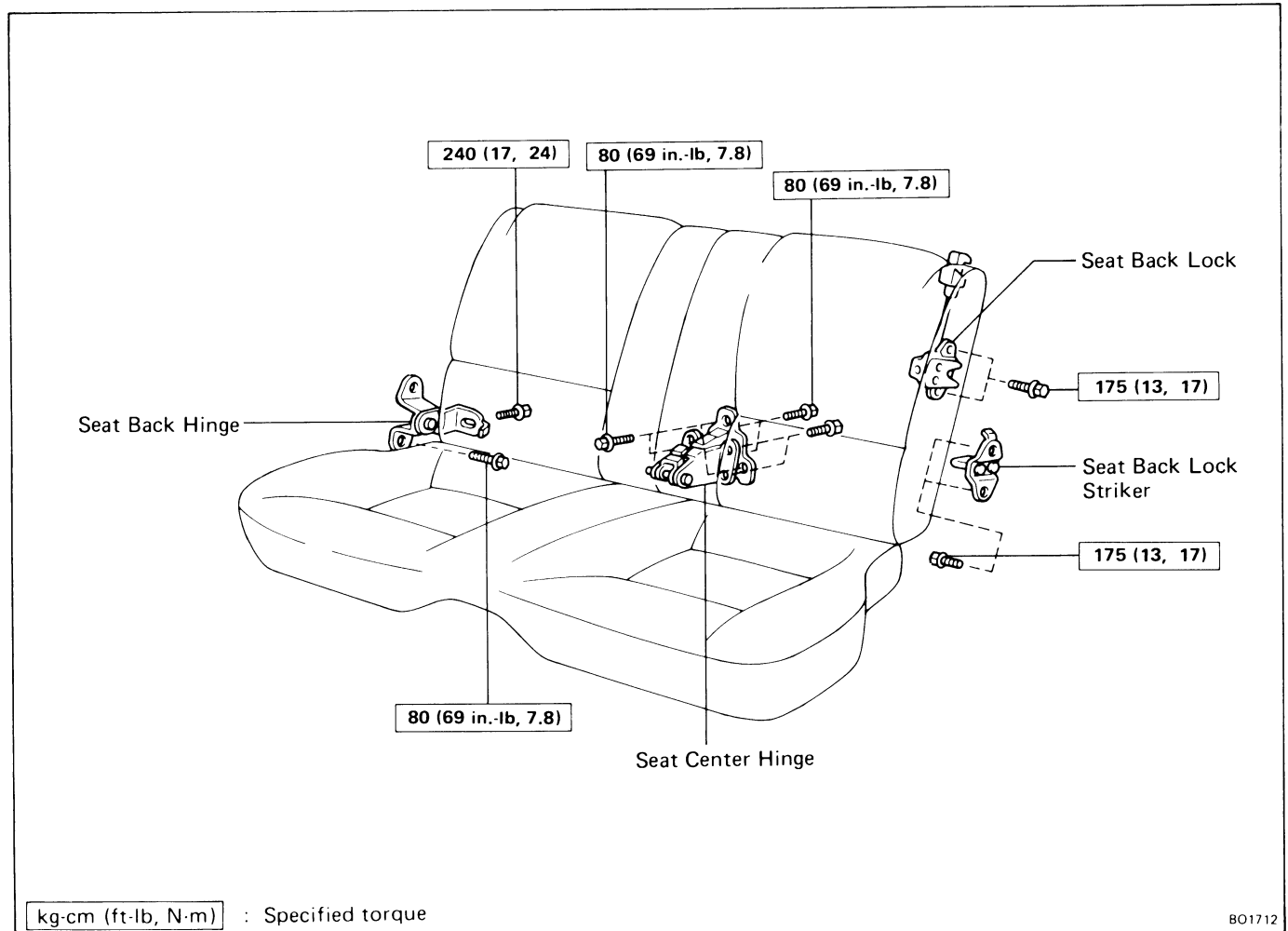


BO1760



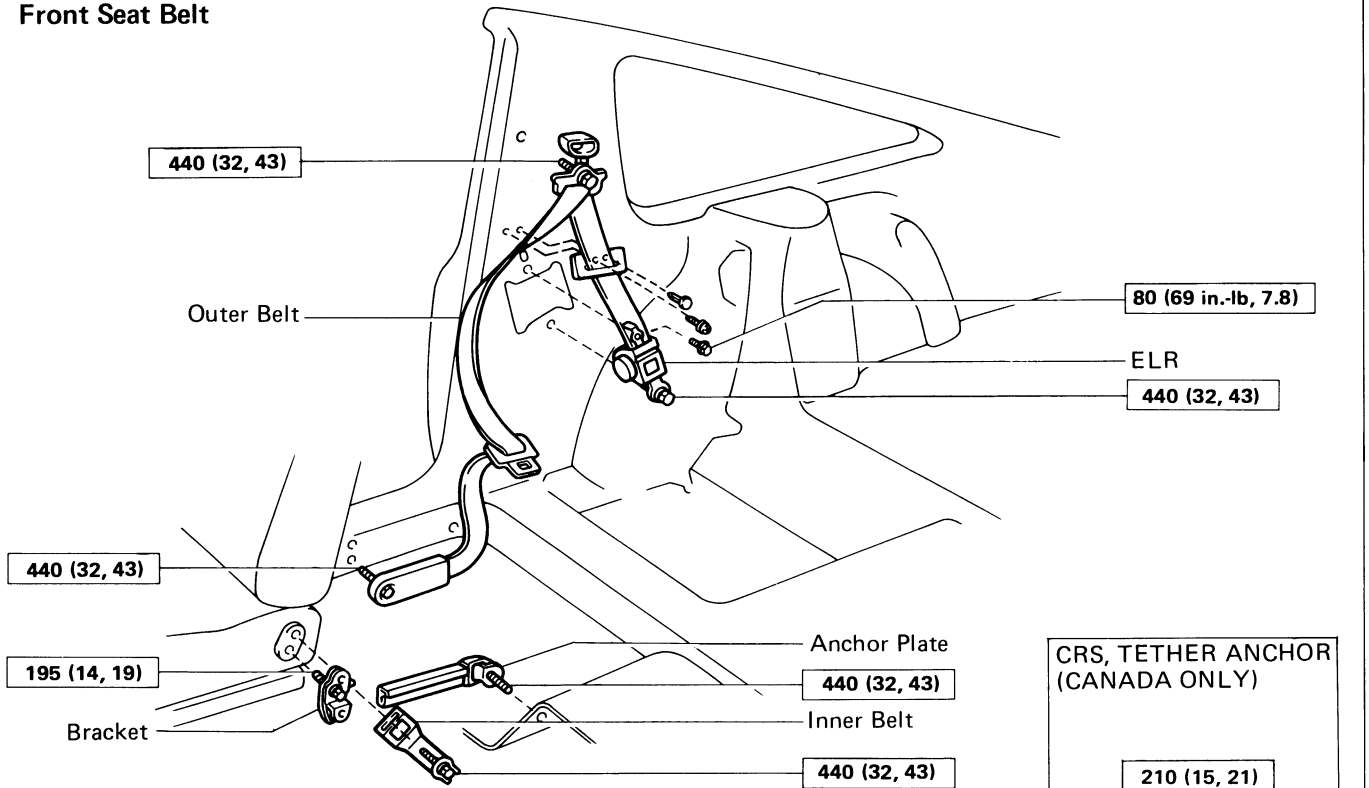
- (d) Be sure to keep both lower brackets aligned when installing the connecting pipe.
- (e) Temporarily tighten the seat back set bolts and torque the bolts in order.
- (f) After assemble the front seat, check that the seat adjuster outer and inner locks are securely locked. If they are not securely locked, reassemble the seat adjuster.

Rear Seat COMPONENTS

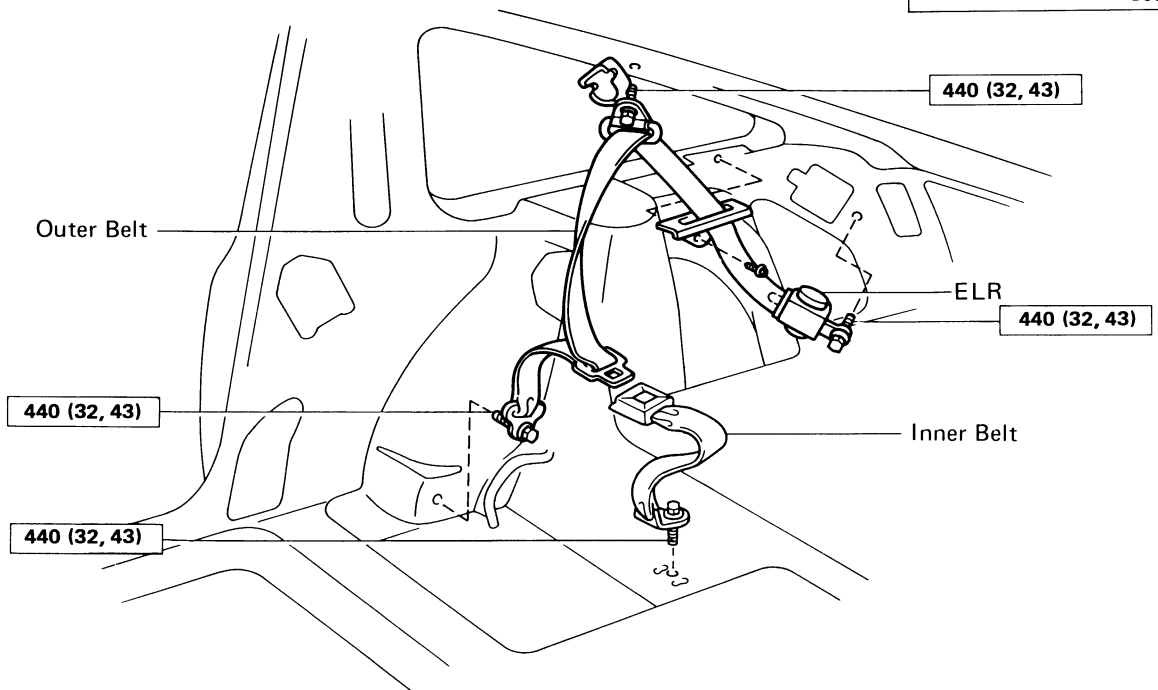


SEAT BELT COMPONENTS

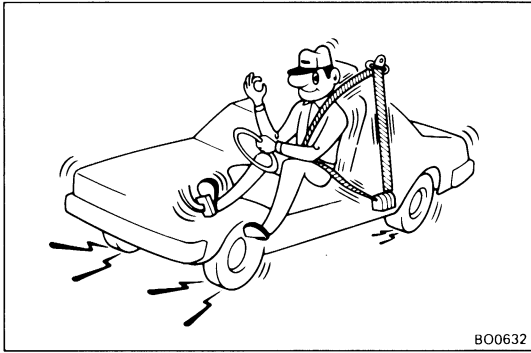
Front Seat Belt



Rear Seat Belt



kg-cm (ft-lb, N-m) : Specified torque



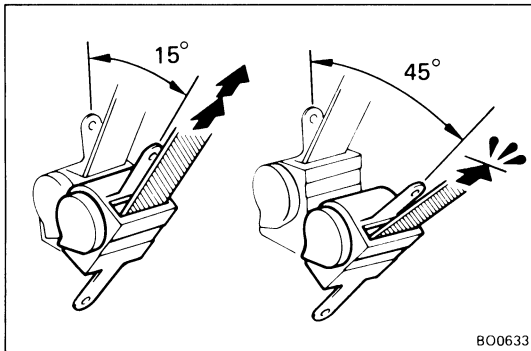
SEAT BELT

[Emergency Locking Retractor (ELR) Type]

1. RUNNING TEST (IN SAFE AREA)

- (a) Fasten the front seat belt.
- (b) Drive the car at 10 mph (16 km/h) and make a very hard stop.
- (c) Check that the belt is locked and cannot be extended at this time.

HINT: Conduct this test in a safe area. If the belt does not lock, remove the belt mechanism assembly and conduct the following static check. Also, whenever installing a new belt assembly, verify proper operation before installation.



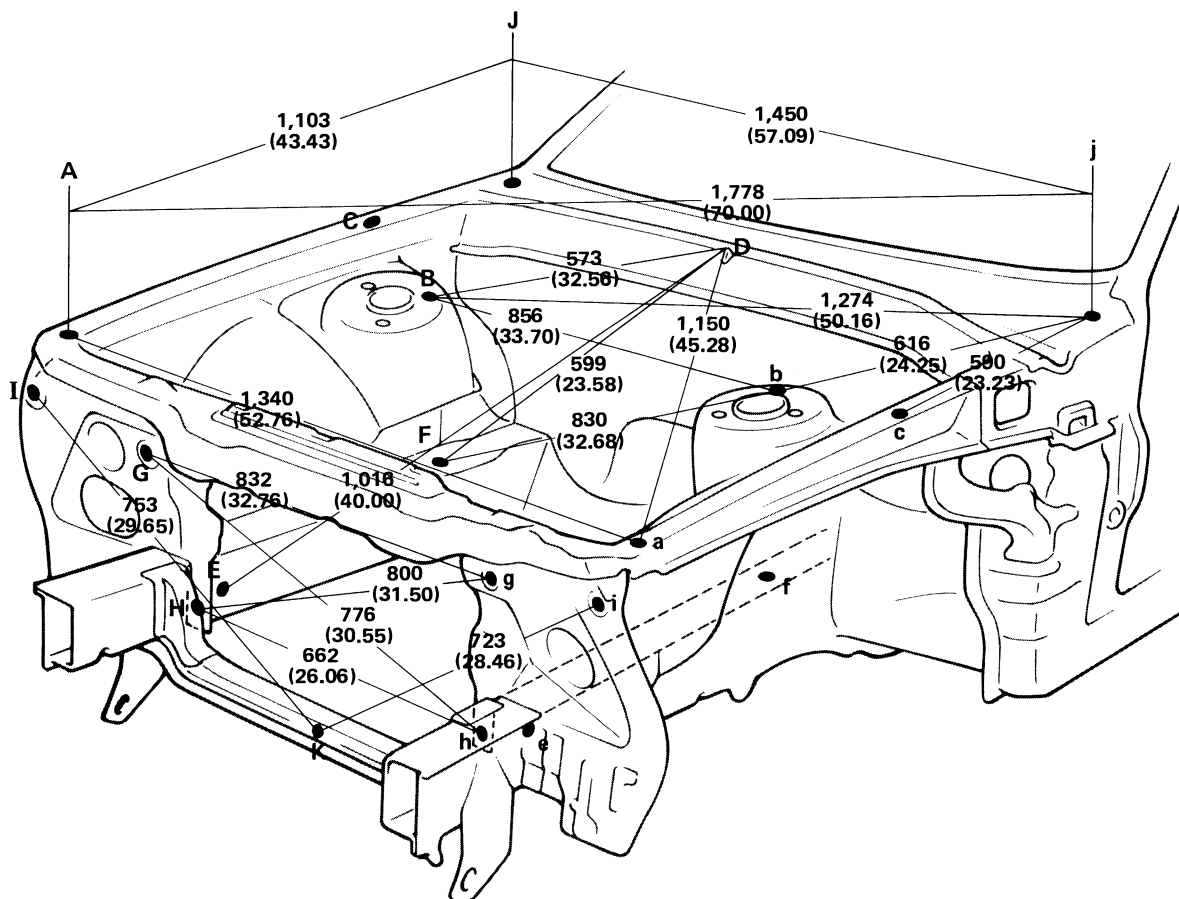
2. STATIC TEST

- (a) Remove the locking retractor assembly.
- (b) Tilt the retractor slowly.
- (c) Verify that the belt can be pulled out at a tilt of 15 degrees or less, and cannot be pulled out at over 45 degrees of tilt.

If a problem is found, replace the assembly.

BODY DIMENSIONS

ENGINE COMPARTMENT

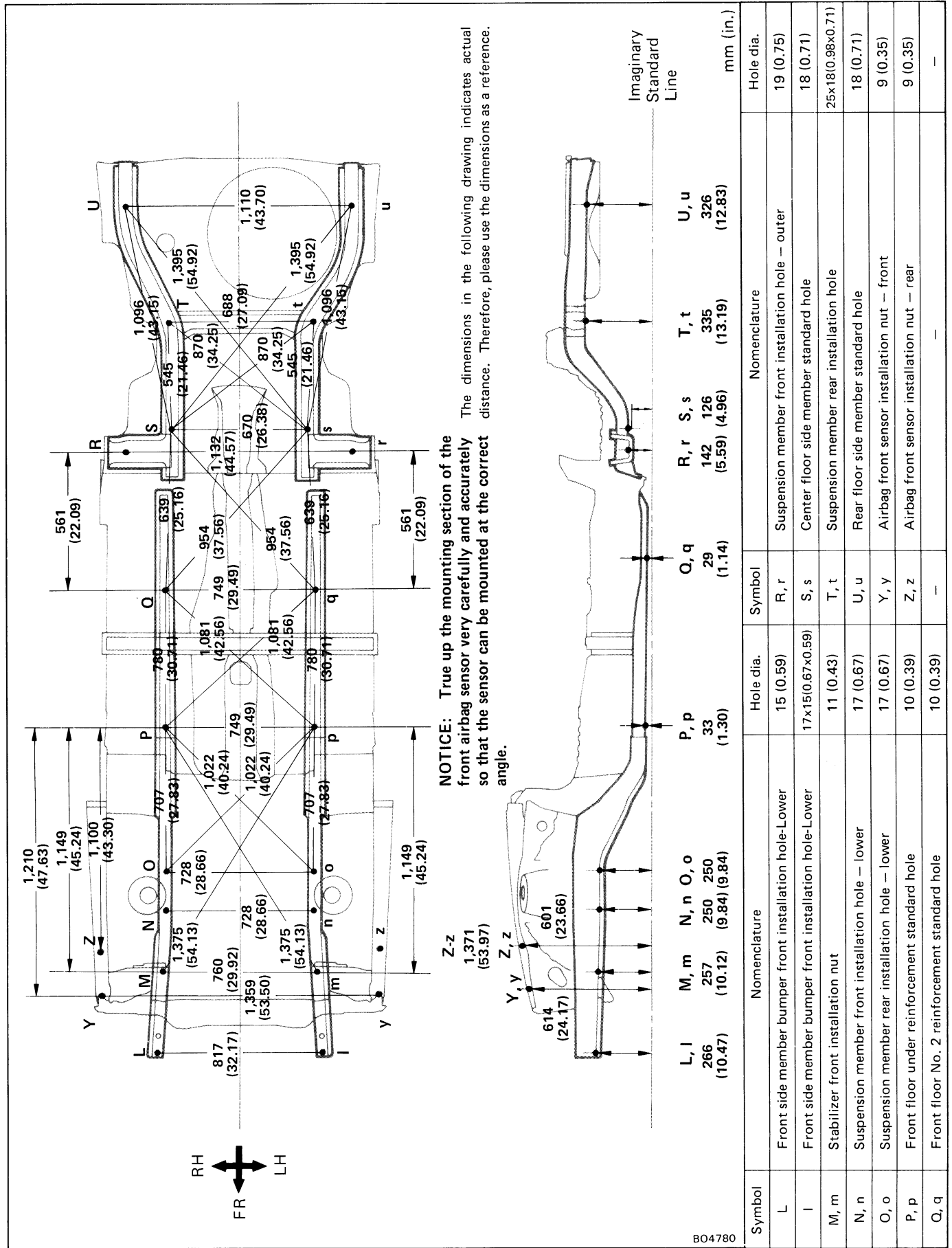


The dimensions in the following drawing indicates actual distance. Therefore, please use the dimensions as a reference.

mm (in.)

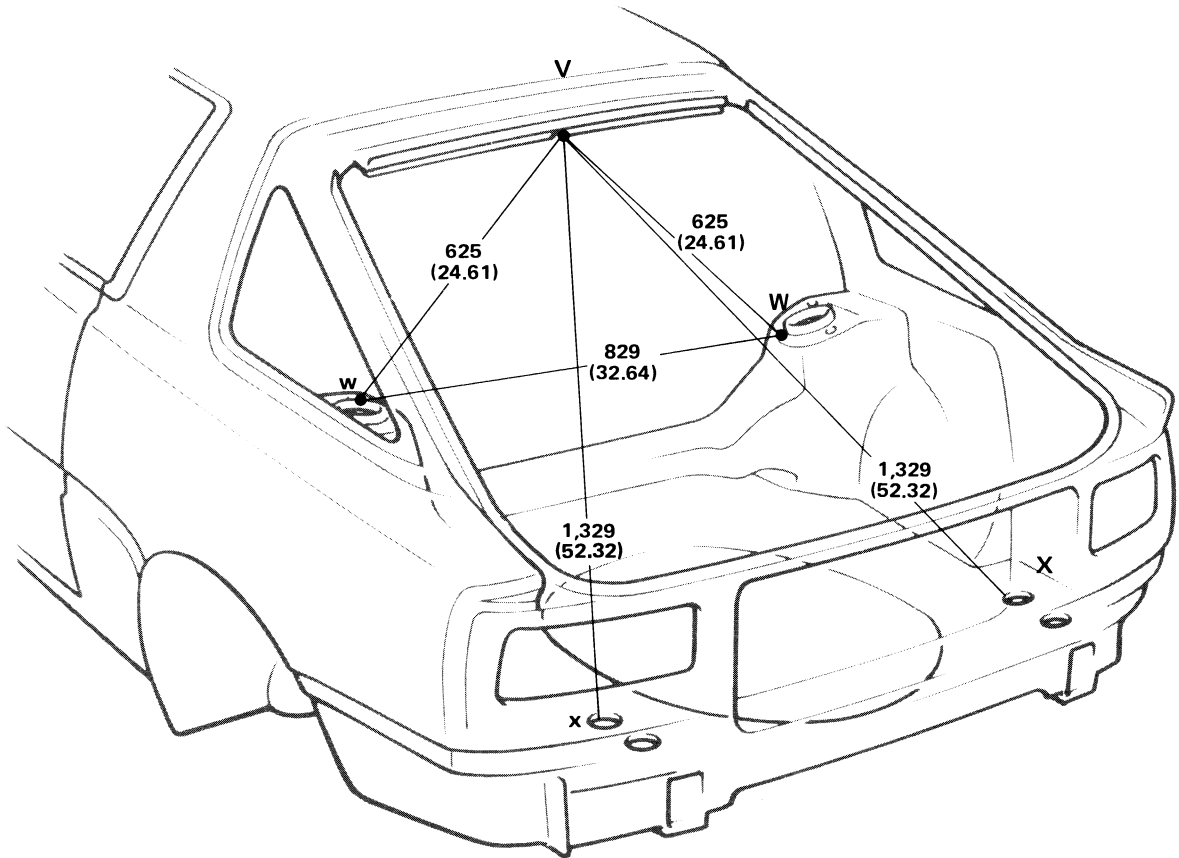
| Symbol | Nomenclature | Hole dia. |
|--------|--|-----------|
| A, a | Front fender installation nut – front | 8 (0.31) |
| B, b | Front spring support hole – rear | 11 (0.43) |
| C, c | Front fender installation nut – rear | 8 (0.31) |
| D | Cowl top panel center mark | – |
| E, e | Front side member standard hole | 15 (0.59) |
| F, f | Suspension member rear installation hole – upper | 17 (0.67) |
| G, g | Retractable light bracket installation nut – upper | 11 (0.43) |
| H, h | Radiator seal installation hole – lower | 7 (0.28) |
| I, i | Front fender side installation hole | 8 (0.31) |
| J, j | Cowl top panel standard hole | 10 (0.39) |
| K | Hood lock support brace installation nut | 7 (0.28) |

UNDER BODY

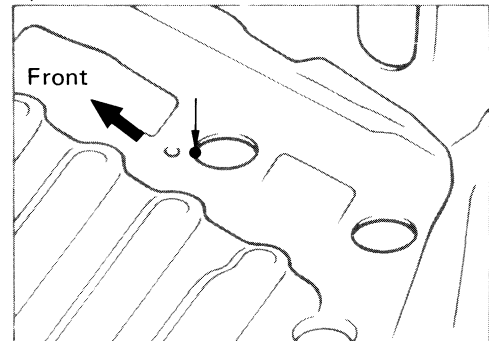


BO4780

LUGGAGE COMPARTMENT



X, x Point



HINT: The luggage compartment measurement is to be made between the two dot-marked points as shown in the figure above.

The dimensions in the following drawing indicates actual distance. Therefore, please use the dimensions as a reference.

mm (in.)

| Symbol | Nomenclature | Hole dia. |
|--------|---|-----------|
| V | Back door opening frame center mark | 2 (0.08) |
| W, w | Rear suspension spring support hole — inner | 9 (0.35) |
| X, x | Rear floor pan bumper installation hole — front | 40 (1.57) |

